

6GF7

Dual Triode With High-Mu Unit and Low-Mu Unit

NOVAR TYPE

GENERAL DATA

Electrical:

Heater Characteristics and Ratings (*Design-Maximum Values*):
Voltage (AC or DC) 6.3 ± 0.600 volts
Current at heater volts = 6.3 0.985 amp
Peak heater-cathode voltage

(Each unit):

Heater negative with
respect to cathode 200 max. volts

Heater positive with
respect to cathode 200^a max. volts

Direct Interelectrode Capacitances (Approx.):

	Unit No. 1	Unit No. 2	
Grid to plate	4.6	9.0	pf
Grid to cathode and heater	2.4	6.5	pf
Plate to cathode and heater	0.26	1.4	pf

Characteristics, Class A₁ Amplifier:

	Unit No. 1	Unit No. 2	
Plate Voltage	250	150	volts
Grid Voltage	-3	-20	volts
Amplification Factor	64	5.4	
Plate Resistance (Approx.)	40000	750	ohms
Transconductance	1600	7200	μ mhos
Plate Current	1.4	50	ma
Plate Current for plate volts = 60 and grid volts = 0	-	95	ma
Plate Current for grid volts = -28	-	10	ma
Grid Voltage (Approx.) for plate μ a = 10	-5.5	-	volts
Grid Voltage (Approx.) for plate μ a = 100	-	-45	volts

Mechanical:

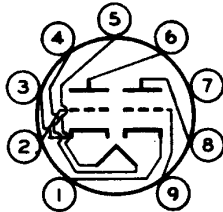
Operating Position Any
Type of Cathodes Coated Unipotential
Maximum Overall Length 3.00"
Maximum Seated Length 2.62"
Length, Base Seat to Bulb Top (Excluding Tip) 2.10" to 2.28"
Diameter 1.062" to 1.188"
Bulb T9
Base Small-Button Novar 9-Pin (JEDEC No. E9-75)



6GF7

Basing Designation for BOTTOM VIEW. 9QD

Pin 1-Cathode of Unit No.1
 Pin 2-Grid of Unit No.2
 Pin 3-Cathode of Unit No.2
 Pin 4-Heater
 Pin 5-Heater



Pin 6-Plate of Unit No.2
 Pin 7-No Internal Connection
 Pin 8-Plate of Unit No.1
 Pin 9-Grid of Unit No.1

VERTICAL-DEFLECTION OSCILLATOR

Values are for Unit No.1

Maximum Ratings, Design-Maximum Values:

For operation in a 525-line, 30-frame system^b

DC PLATE VOLTAGE.	330	max.	volts
PEAK NEGATIVE PULSE-GRID VOLTAGE.	400	max.	volts
CATHODE CURRENT:			
Peak.	77	max.	ma
Average	22	max.	ma
PLATE DISSIPATION	1.5	max.	watts

Maximum Circuit Values:

Grid-Circuit Resistance:			
For grid-resistor-bias or			
cathode-bias operation.	2.2	max.	megohms

VERTICAL-DEFLECTION AMPLIFIER

Values are for Unit No.2

Maximum Ratings, Design-Maximum Values Except as Noted:

For operation in a 525-line, 30-frame system^b

DC PLATE VOLTAGE.	330	max.	volts
PEAK POSITIVE-PULSE PLATE VOLTAGE (Absolute-maximum value) ^c	1500 ^d	max.	volts
PEAK NEGATIVE-PULSE GRID VOLTAGE.	250	max.	volts
CATHODE CURRENT:			
Peak.	175	max.	ma
Average	50	max.	ma
PLATE DISSIPATION	11	max.	watts

Maximum Circuit Values:

Grid-Circuit Resistance:			
For grid-resistor-bias operation.	2.2	max.	megohms
For cathode-bias operation.	2.2	max.	megohms

^a The dc component must not exceed 100 volts

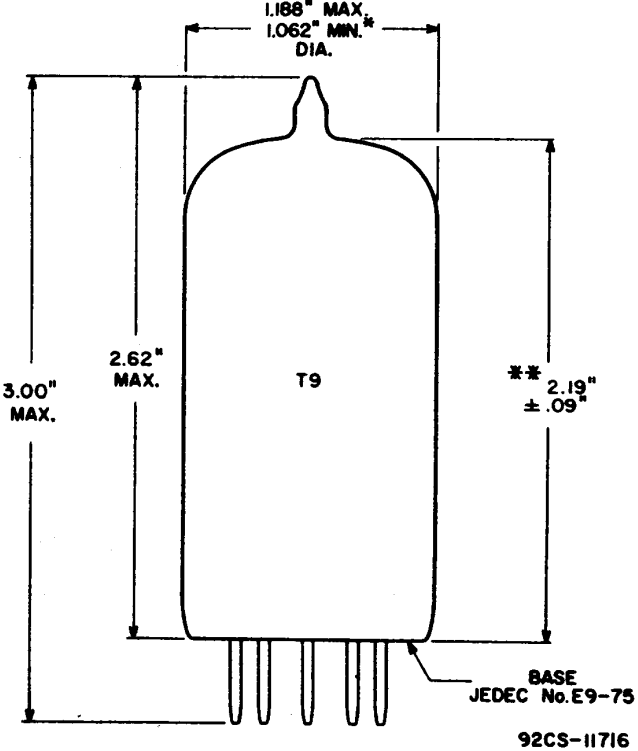
^b As described in "Standards of Good Engineering Practice Concerning Television Broadcast Stations" Federal Communications Commission.

^c This rating is applicable where the duration of the voltage pulse does not exceed 15 per cent of one vertical scanning cycle. In a 525-line, 30-frame system, 15 per cent of one vertical scanning cycle is 2.5 milliseconds.

^d Under no circumstances should this absolute-maximum value be exceeded.



6GF7

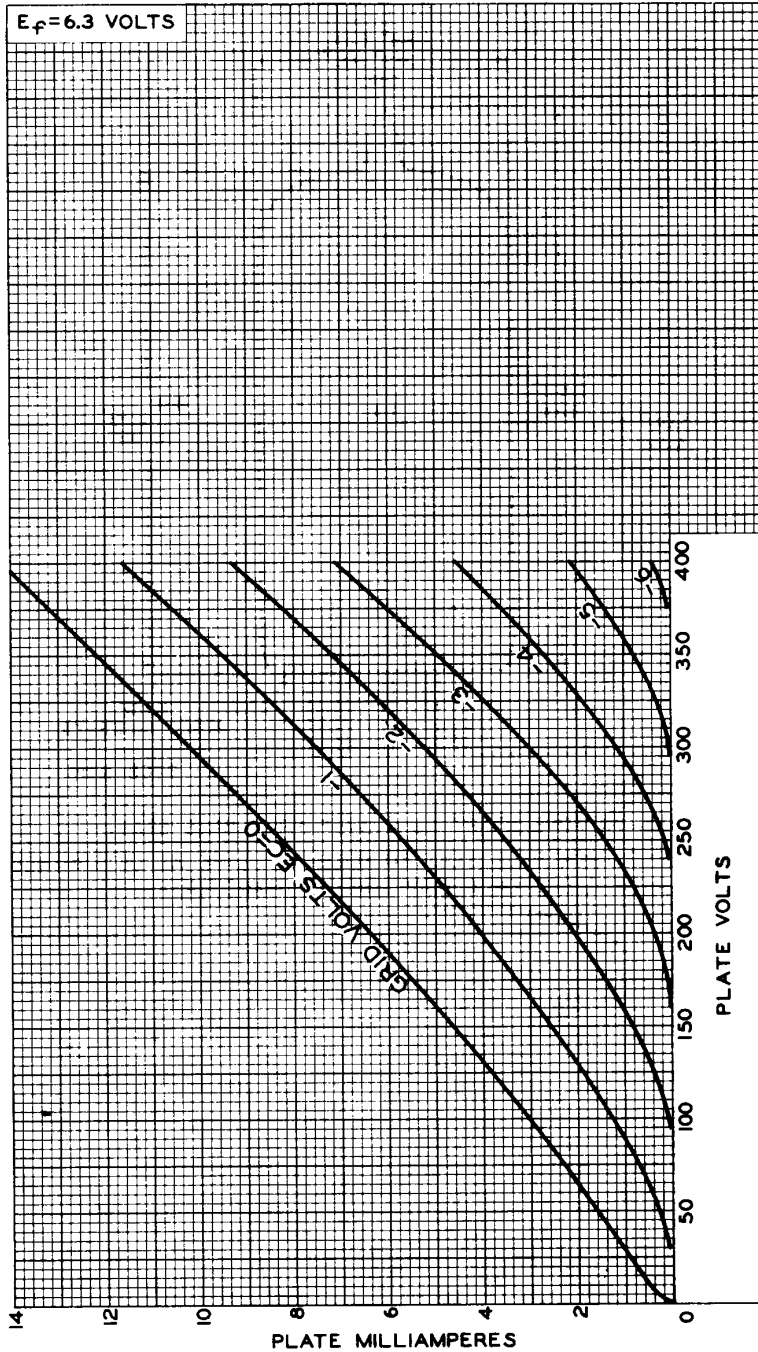


- * APPLIES IN ZONE STARTING 0.375" FROM BASE SEAT.
- ** MEASURED FROM BASE SEAT TO BULB-TOP LINE AS DETERMINED BY A RING GAUGE OF 0.600" INSIDE DIAMETER.



6GF7

AVERAGE PLATE CHARACTERISTICS Unit No.1



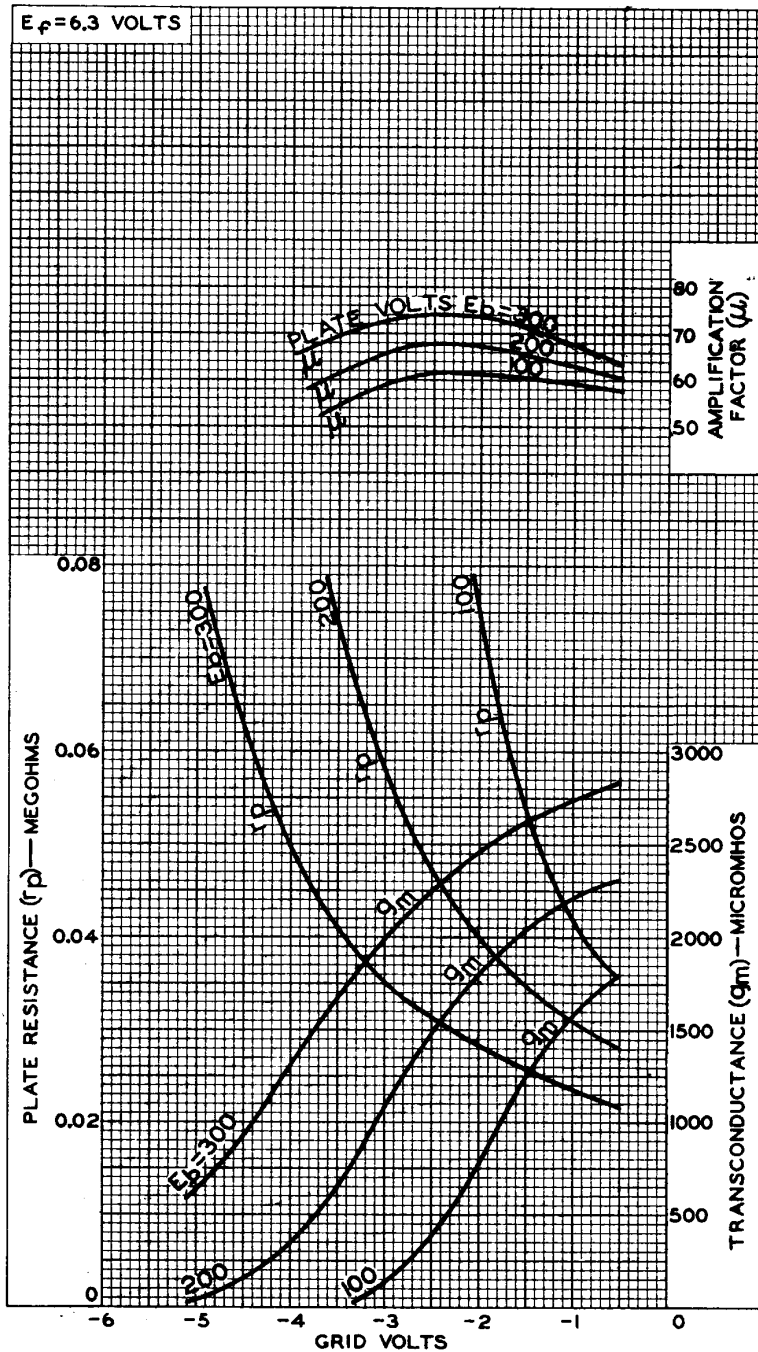
92CM-9912

RADIO CORPORATION OF AMERICA
Electron Tube Division
Harrison, N. J.



6GF7

AVERAGE CHARACTERISTICS Unit No.1



92CM-9915R1

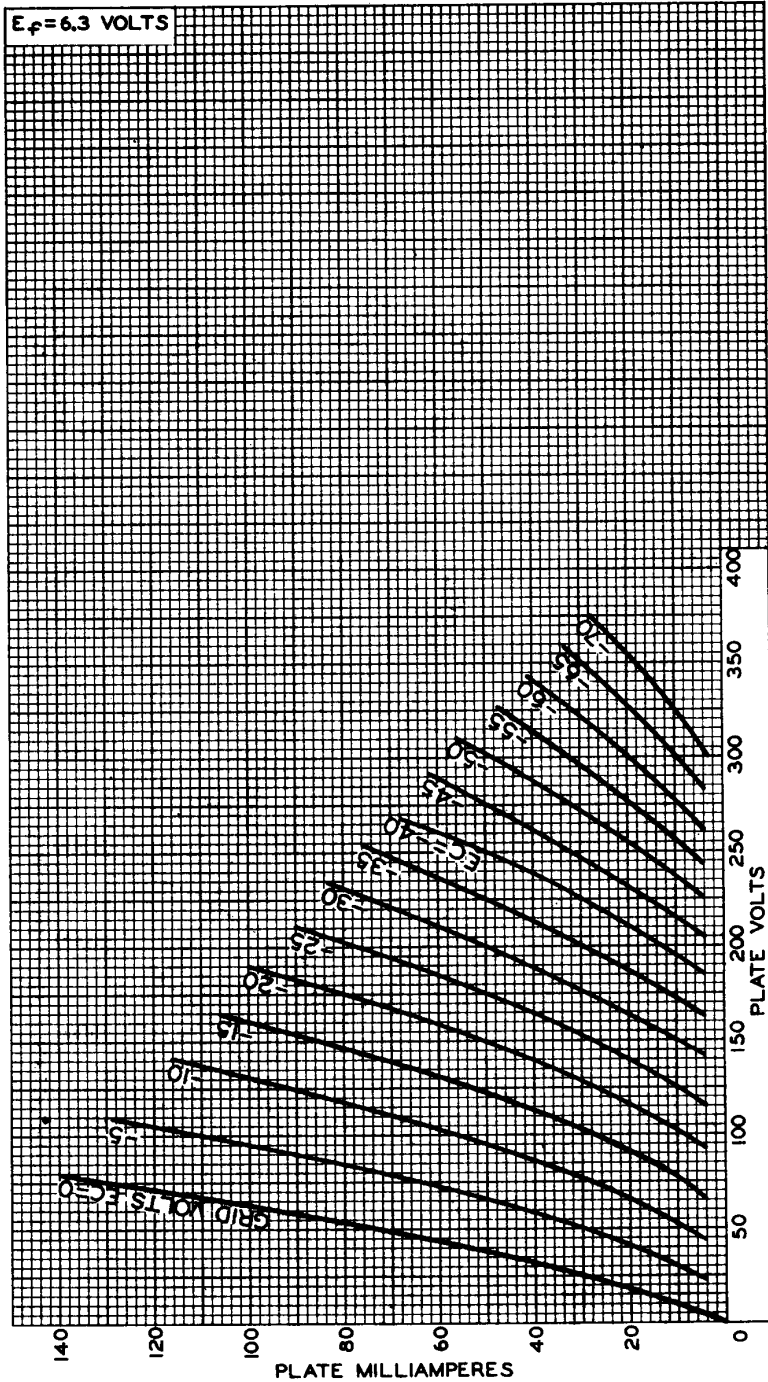


RADIO CORPORATION OF AMERICA
Electron Tube Division
Harrison, N. J.

DATA 3
1-63

6GF7

AVERAGE PLATE CHARACTERISTICS Unit No.2



92CM-10466

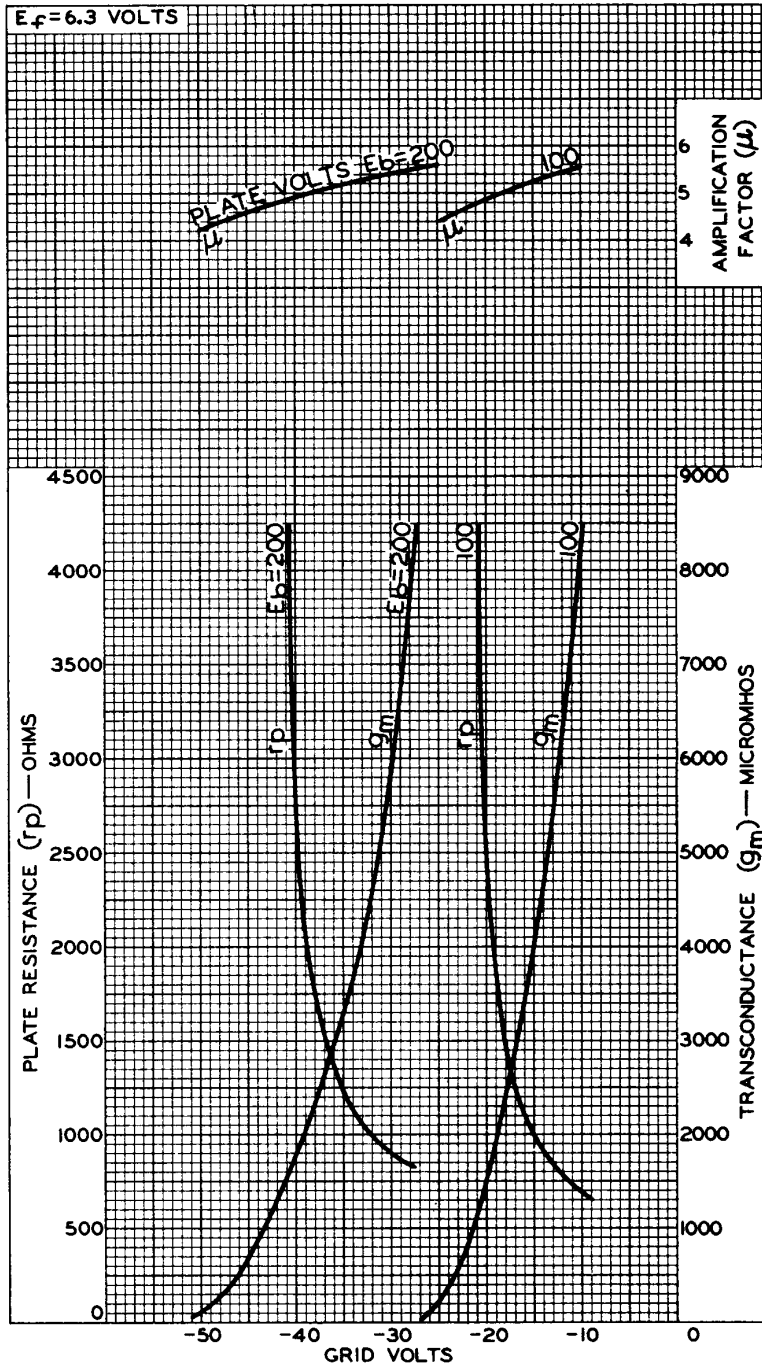
RADIO CORPORATION OF AMERICA
Electron Tube Division

Harrison, N. J.



6GF7

AVERAGE CHARACTERISTICS Unit No.2



92CM-10467



RADIO CORPORATION OF AMERICA
Electron Tube Division
Harrison, N. J.

DATA 4
1-63