



25Z5

25Z5



HIGH-VACUUM RECTIFIER-DOUBLER

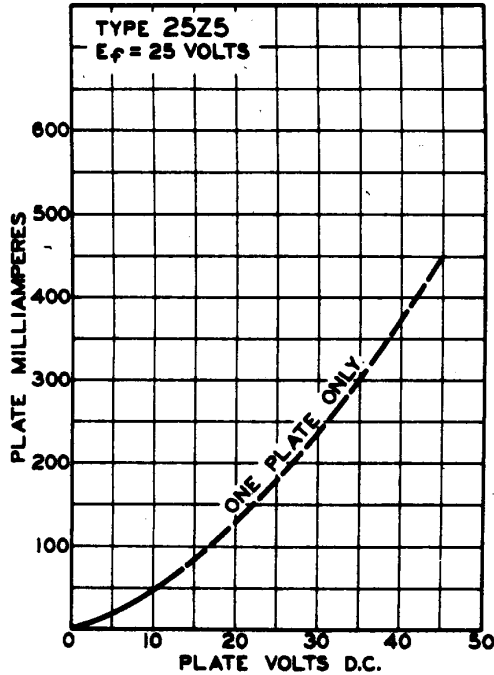
Heater	Coated Unipotential Cathodes	
Voltage	25	a-c or d-c volts
Current	0.3	amp.
Maximum Overall Length		4-3/16"
Maximum Seated Height		3-9/16"
Maximum Diameter		1-9/16"
Bulb		ST-12
Base		Small 6-Pin
Pin 1-Heater		Pin 4-Cathode #1
Pin 2-Plate #2		Pin 5-Plate #1
Pin 3-Cathode #2		Pin 6-Heater
Mounting Position	BOTTOM VIEW (6E)	Any



Maximum Ratings, Typical Operating Conditions, and Curves are the same as those for Type 2588.

In the design of "transformerless" receivers, a filter of condenser-input type is recommended for use with the 25Z5 in order to obtain a d-c output voltage as high as possible. A larger input capacitance, i.e., 16 μ f, is desirable for half-wave rectifier service, while a higher value is advantageous for voltage-doubler circuits. Since the peak voltage applied to the input condenser(s) is relatively low, it is possible to use condensers having moderate voltage rating (sufficient only for the line voltage). For rectifier and voltage-doubler circuits, see next page.

AVERAGE PLATE CHARACTERISTIC



← Indicates a change.

Sept. 2, 1941

RCA RADOTRON DIVISION
RCA MANUFACTURING COMPANY, INC.

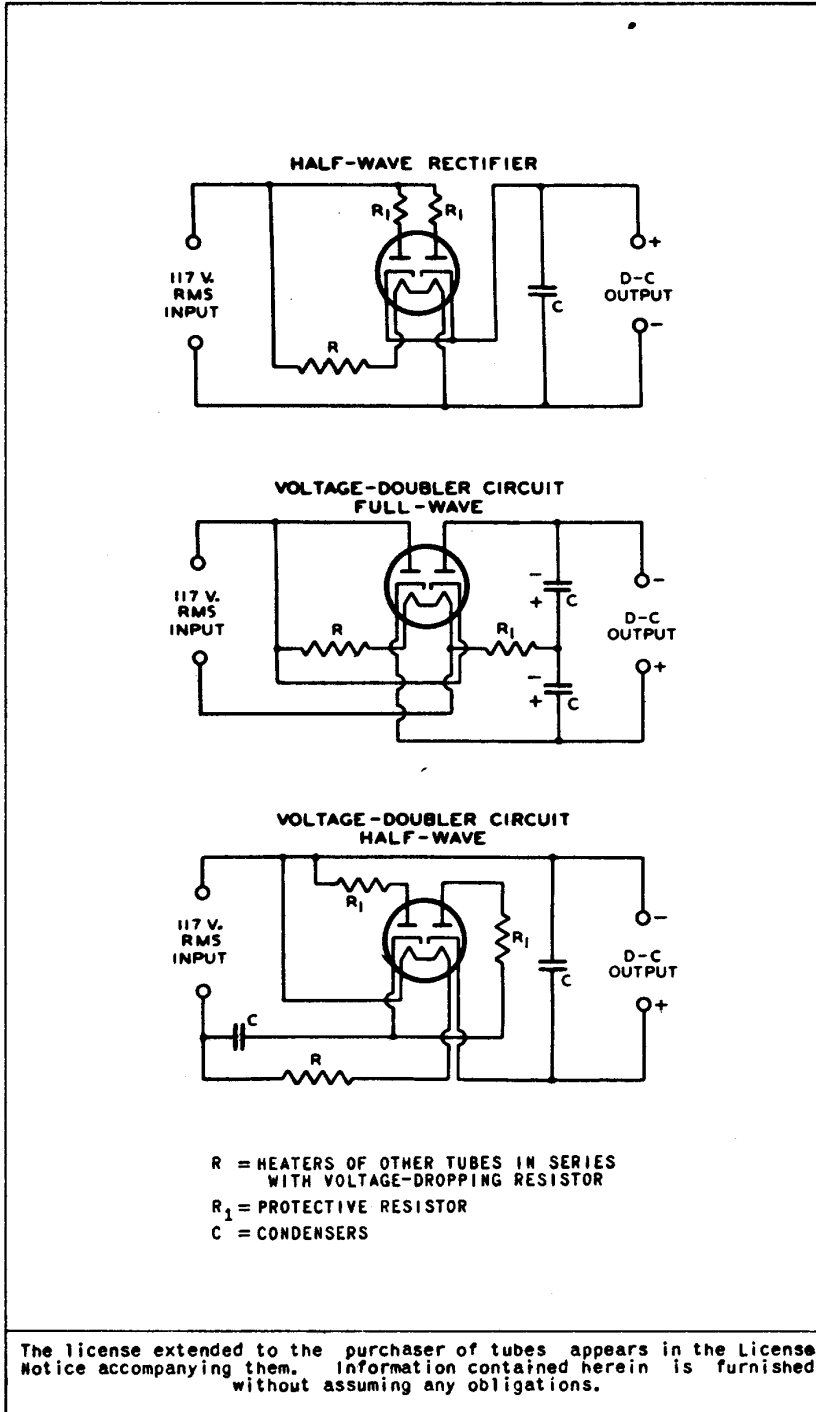
DATA

25Z5



25Z5

TYPICAL RECTIFIER-DOUBLER CIRCUITS



Sept. 2, 1941

RCA RADOTRON DIVISION
 RCA MANUFACTURING COMPANY, INC.

CIRCUITS