



9005

9005

U-H-F DIODE

ACORN TYPE

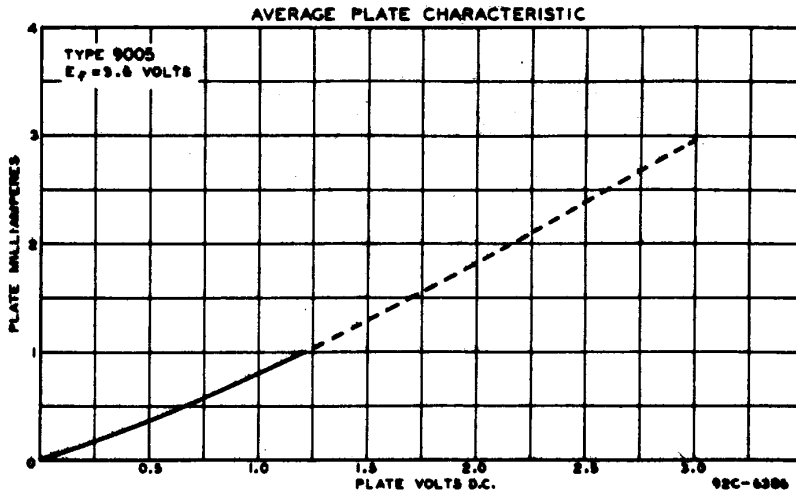
Heater	Coated Unipotential Cathode	
Voltage	3.6	a-c or d-c volts
Current	0.165	amp.
Direct Interelectrode Capacitances: ^o		
Plate to Cathode	0.8	$\mu\mu\text{f}$
Plate to Heater	0.2 approx.	$\mu\mu\text{f}$
Heater to Cathode	1.1 approx.	$\mu\mu\text{f}$
Overall Length		1-7/32" \pm 5/32"
Overall Diameter		1-3/32" \pm 1/16"
Bulb		T-4 $\frac{1}{2}$
RCA Socket		Stock No. 9925
Mounting Position		Any

Maximum Ratings are Design-Center Values

RECTIFIER

A-C Plate Voltage (RMS)	117 max. volts
D-C Output Current	1.0 max. ma.

The resonant frequency of the 9005 is approximately 1500 Mc. €
^oWith no external shield.



Dec. 1, 1942

RCA RADIOTRON DIVISION
RCA MANUFACTURING COMPANY, INC.

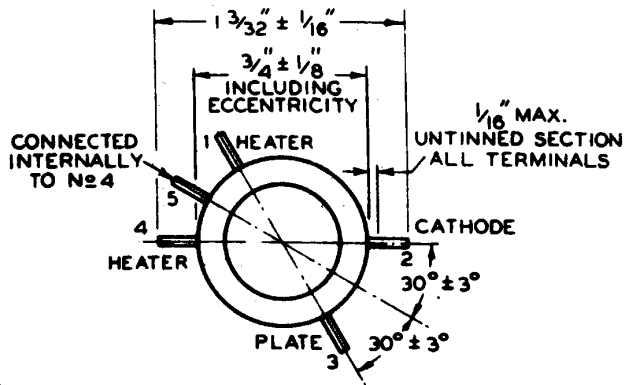
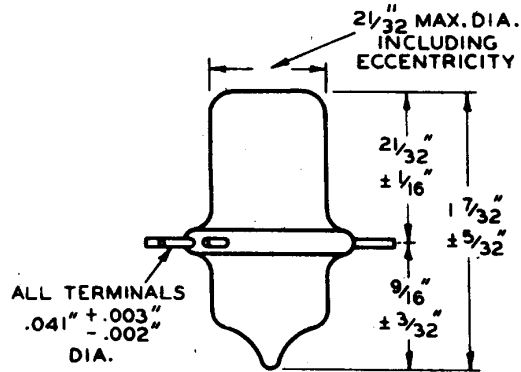
TENTATIVE DATA

9005



9005

U-H-F DIODE



BOTTOM VIEW

92C-6366R1

← Indicates a change.

Dec. 1, 1942

RCA RADOTRON DIVISION
RCA MANUFACTURING COMPANY, INC.

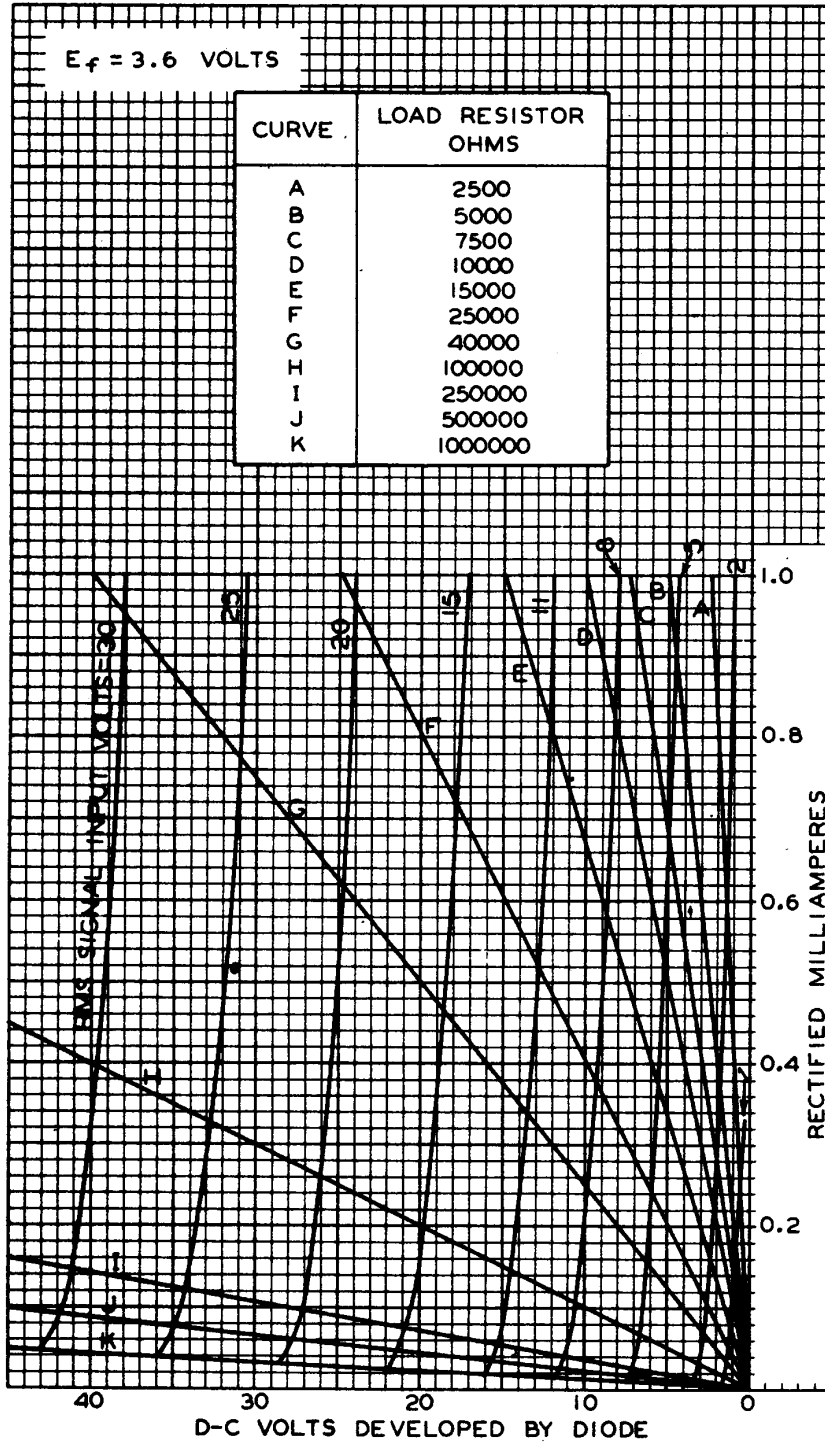
92C-6366R1



9005

9005

AVERAGE CHARACTERISTICS



MARCH 20, 1942

RCA RADOTRON DIVISION
RCA MANUFACTURING COMPANY, INC.

92C-6384