



2K26

2K26 KLYSTRON

SINGLE-RESONATOR, REFLEX TYPE
Frequency: 6250 to 7060 Mc.

GENERAL DATA

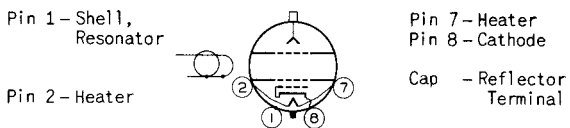
Electrical:

Heater, for Unipotential Cathode:
 Voltage 6.3 ± 0.5 ac or dc volts
 Current 0.44 amp
 Frequency Range 6250 to 7060 Mc

Mechanical:

Mounting Position Any
 Dimensions, Terminal Connections,
 and Mechanical Tuning Mechanism See Outline Drawing
 Resonant Cavity Integral Part of Tube
 Envelope Metal
 Cap Miniature with Wafer
 Base Small-Wafer Octal 4-Pin with Pin No. 4
 replaced by Coaxial Output Line

BOTTOM VIEW



NOTE: COAXIAL OUTPUT LINE PASSES THROUGH
VACANT PIN POSITION NO. 4

CW OSCILLATOR - Class C

Maximum Ratings, Absolute Values:

DC RESONATOR VOLTAGE 330 max. volts
 DC REFLECTOR VOLTAGE:
 Positive Value 0 max. volts
 Negative Value 350 max. volts
 DC RESONATOR CURRENT 35 max. ma
 PEAK HEATER-CATHODE VOLTAGE:
 Heater negative with respect to cathode. 50 max. volts
 Heater positive with respect to cathode. 50 max. volts
 AMBIENT TEMPERATURE OF SHELL 110 max. °C
 TEMPERATURE OF COAXIAL OUTPUT LINE 90 max. °C

Typical Operation [□] at 6660 Mc in Mode "A" with 3/4" x 1-1/2" Wave Guide

DC Resonator Voltage 300 volts
 DC Reflector Voltage Range[▲] -65 to -120 volts
 DC Resonator Current 25 ma
 DC Reflector Current less than 7 μ a

(continued on next page)

[□], [▲]: See next page.

2K26



2K26 KLYSTRON

Half-Power Electronic-Tuning

Frequency Change	55	Mc
Power Output	120	mw

- ▲ Adjusted for maximum power output at the given operating frequency.
- Change in frequency between the two half-power points when the reflector voltage is varied above and below the point of maximum power output corresponding to the given frequency.
- The coaxial output line is coupled to the specified wave guide through the wide-band coaxial coupling unit shown on following pages.

INSTALLATION NOTES

A socket for the 2K26 may be obtained by removing the clip from the No.4 pin position of an octal socket and drilling the No.4 opening large enough to admit the coaxial line and the surrounding coupling unit. To guard against excessive strain on the coaxial output line, the tube must be securely fastened by a clamp on the base of the socket mounting. Bumping or continued pressure on the output line will seriously damage the tube. The proper area for clamping on the shoulder of the header skirt is shown on the Outline Drawing.



2K26

KLYSTRON

2K26

OPERATING NOTES

All tabulated data and curve information shown for the 2K26 were taken with the specified coupling unit and wave guide. It is important that this coupling unit or its electrical equivalent be used to insure tube interchangeability and satisfactory tuning characteristics. In addition, the standing-wave ratio of the coupler should not exceed 0.8 db. (1.1 voltage-standing-wave ratio).

In most applications the cathode of the 2K26 is operated at a negative potential with respect to ground so that the tube shell, which is integral with the resonator, is at ground potential. In those applications which do not operate with the shell at ground potential, it is essential that the 2K26 be surrounded by a grounded shield and tuned with an insulated tool, in order to protect the user from contact with high voltage. The shield design should permit adequate ventilation to assure that ambient temperature, as measured with a thermometer inserted between the metal tube shell and the shield, will be less than the maximum rated value. Ambient temperature changes will cause the resonator to expand or contract, producing a change in frequency. For best frequency stability, the 2K26 should be operated at nearly constant ambient temperature and with a well-regulated power supply.

Shielding of the reflector and resonator voltage leads as close to the tube as possible is essential to avoid modulation of the tube output by any external voltages. In addition, the connection to the reflector terminal must be insulated to withstand the total acceleration and reflector voltage. To avoid damage to the tube, the reflector potential must never become positive with respect to the cathode.

Tuning of the 2K26 is accomplished by mechanical and electronic means. The mechanical tuning system is designed to permit approximate adjustment of frequency, but is not recommended for use where continual or frequent adjustment of frequency is required. Approximately five full turns of the frequency-adjustment screw are sufficient to tune the tube over its rated frequency range. The electronic tuning range is dependent upon reflector voltage, the type of load and the kind of coupling to the load.

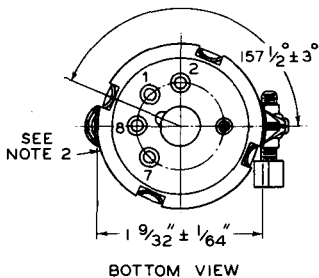
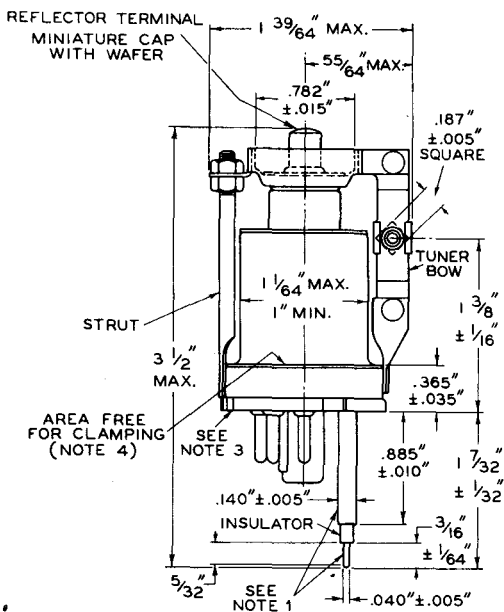
Voltage modes are regions within the total range of reflector voltage in which oscillations will occur. The typical operating conditions and curves shown for type 2K26 apply to mode "A", the only mode recommended for this tube.

2K26



2K26

KLYSTRON



NOV. 15, 1948

TUBE DEPARTMENT
RADIO CORPORATION OF AMERICA, HARRISON, NEW JERSEY

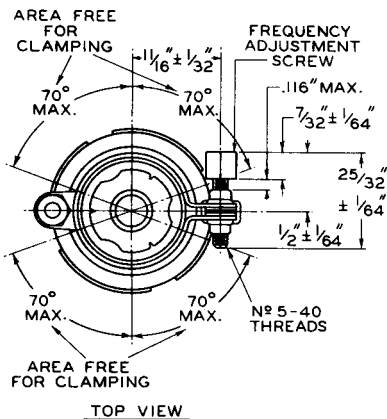
CE-6986VA



2K26

KLYSTRON

2K26



NOTE 1: THE INNER AND OUTER CONDUCTORS OF THE COAXIAL OUTPUT LINE ARE CONCENTRIC WITHIN 0.010".

NOTE 2: BASE-PIN AND COAXIAL-OUTPUT-LINE POSITIONS ARE HELD TO TOLERANCES SUCH THAT PINS AND OUTPUT LINE WILL FIT FLAT-PLATE GAUGE HAVING (a) THICKNESS OF $1-7/32"$, (b) 4 HOLES WITH DIAMETER OF $0.1030" \pm 0.0005"$ FROM TOP SURFACE OF GAUGE TO A DEPTH OF 0.25" AND THEN WITH DIAMETER INCREASED BY APPROXIMATELY $1/64"$ FOR REMAINING DEPTH OF HOLE, SO LOCATED ON A $0.6870" \pm 0.0005"$ DIAMETER CIRCLE THAT THE DISTANCE ALONG THE CHORD BETWEEN ANY TWO ADJACENT HOLE CENTERS IS $0.2630" \pm 0.0005"$, (c) ONE HOLE WITH DIAMETER OF $0.1600" \pm 0.0005"$ TO DEPTH OF $1-7/32"$ WHOSE CENTER IS LOCATED ON THE SPECIFIED PIN CIRCLE A DISTANCE DETERMINED BY LAYING OFF ON THE TOP SURFACE OF THE GAUGE COUNTERCLOCKWISE FROM THE LAST OF THE FOUR HOLES TWO CONSECUTIVE CHORDS EACH $0.2630" \pm 0.0005"$, AND (d) A CENTER HOLE WITH A MINIMUM DIAMETER OF 0.400" TO CLEAR THE BASE PLUG AND KEY. PIN AND OUTPUT-LINE FIT IN GAUGE SHALL BE SUCH THAT GAUGE TOGETHER WITH SUPPLEMENTARY WEIGHT TOTALING 2 LBS. WILL NOT BE LIFTED WHEN PINS AND COAXIAL OUTPUT LINE ARE WITHDRAWN.

NOTE 3: SMALL-WAFER OCTAL 4-PIN BASE WITH PIN No. 4 REPLACED BY COAXIAL OUTPUT LINE.

NOTE 4: MINIMUM WIDTH OF SHOULDER IS 0.045".

2K26

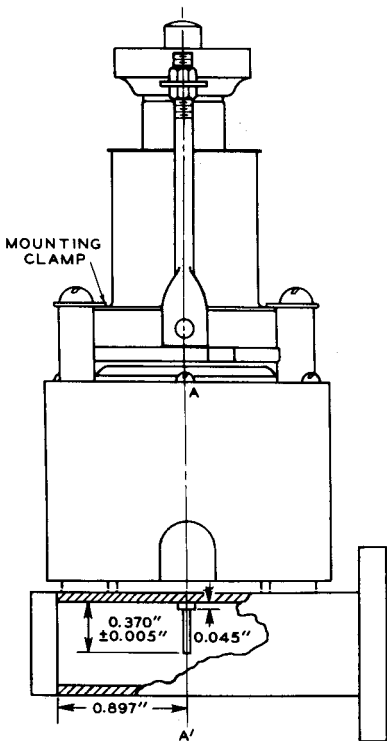


2K26

KLYSTRON

COUPLING ARRANGEMENT

*RCA-2K26 Coupled to a 3/4" x 1-1/2" Wave Guide
Through a Coaxial Transducer Coupling
Circuit*



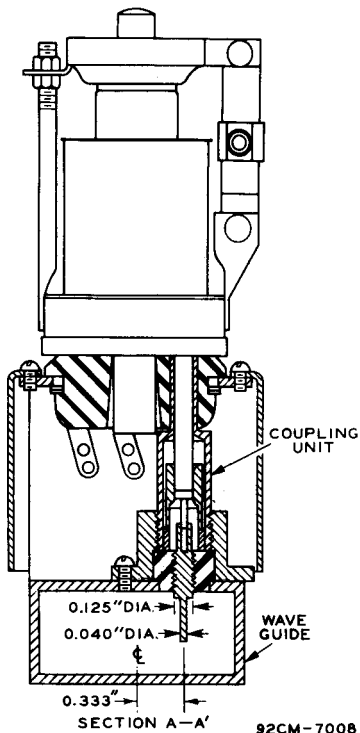


2K26

KLYSTRON

2K26

COUPLING ARRANGEMENT (Cont'd)

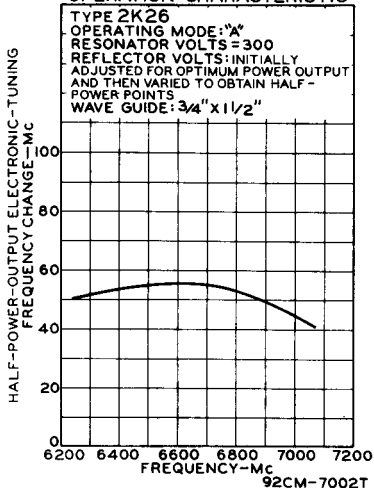


2K26

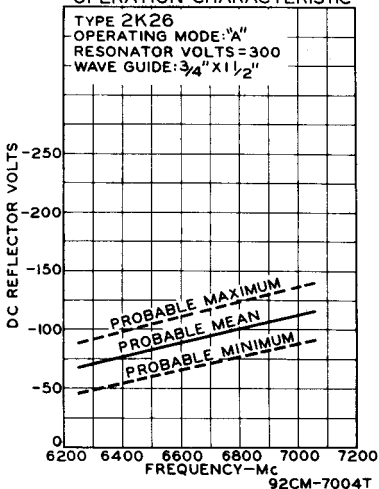


2K26 KLYSTRON

OPERATION CHARACTERISTIC



OPERATION CHARACTERISTIC



NOV. 15, 1948

TUBE DEPARTMENT
RADIO CORPORATION OF AMERICA, HARRISON, NEW JERSEY

CE-7002T-7004T



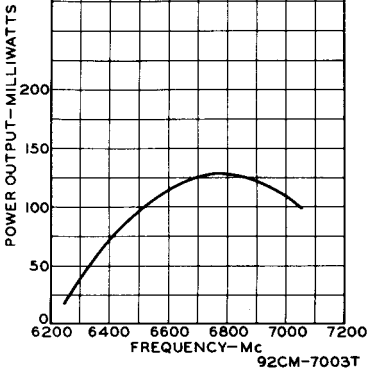
2K26

KLYSTRON

2K26

OPERATION CHARACTERISTIC

TYPE 2K26
OPERATING MODE: "A"
RESONATOR VOLTS = 300
REFLECTOR VOLTS: ADJUSTED
FOR OPTIMUM POWER OUTPUT
WAVE GUIDE: $3\frac{1}{4} \times 1\frac{1}{2}$ "



92CM-7003T

NOV. 15, 1948

TUBE DEPARTMENT
RADIO CORPORATION OF AMERICA, HARRISON, NEW JERSEY

CE-7003T