

6JU8

Quadruple Diode

9-PIN MINIATURE TYPE

For Phase-Detector and Noise-Immune Color-Killer Circuits in Color-Television Receivers, and for FM-Stereo-Multiplex Equipment

GENERAL DATA

Electrical:

Heater Characteristics and Ratings (*Design-Maximum Values*):

Voltage (AC or DC) 6.3 ± 0.6 volts
Current at heater volts = 6.3 0.600 amp

Peak heater-cathode voltage (Each unit):

Heater negative with respect to cathode 300 max. volts
Heater positive with respect to cathode 300 max. volts

Direct Interelectrode Capacitances (Approx.):^a

Plate of unit No.1 & cathode of unit No.2 to cathode of unit No.1 1.8 μf
Plate of unit No.1 & cathode of unit No.2 to plate of unit No.2 2.2 μf
Plate of unit No.2 to internal shield and heater 0.62 μf
Plate of unit No.3 & cathode of unit No.4 to cathode of unit No.3 1.9 μf
Plate of unit No.3 & cathode of unit No.4 to plate of unit No.4 2.2 μf
Plate of unit No.4 to internal shield and heater 0.94 μf
Cathode of unit No.1 to internal shield and heater 1.8 μf
Cathode of unit No.3 to internal shield and heater 1.9 μf

Mechanical:

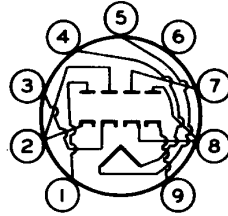
Operating Position Any
Type of Cathodes Coated* Unipotential
Maximum Overall Length 2-5/8"
Maximum Seated Length 2-3/8"
Length, Base Seat to Bulb Top (Excluding tip) 2" \pm 3/32"
Diameter 0.750" to 0.875"
Dimensional Outline See *General Section*
Bulb T6-1/2
Base Small-Button Noval 9-Pin (JEDEC No.E9-1)



6JU8

Basing Designation for BOTTOM VIEW. 9PQ

Pin 1 - Plate of Unit No.4
 Pin 2 - Plate of Unit No.3, Cathode of Unit No.4
 Pin 3 - Cathode of Unit No.3
 Pin 4 - Heater
 Pin 5 - Heater



Pin 6 - Internal Shield
 Pin 7 - Plate of Unit No.2
 Pin 8 - Plate of Unit No.1, Cathode of Unit No.2
 Pin 9 - Cathode of Unit No.1

Maximum Ratings, Design-Maximum Values:

Values are for Each Unit

PEAK INVERSE PLATE VOLTAGE. 300 max. volts
 PEAK PLATE CURRENT. 54 max. ma
 DC OUTPUT CURRENT 9 max. ma

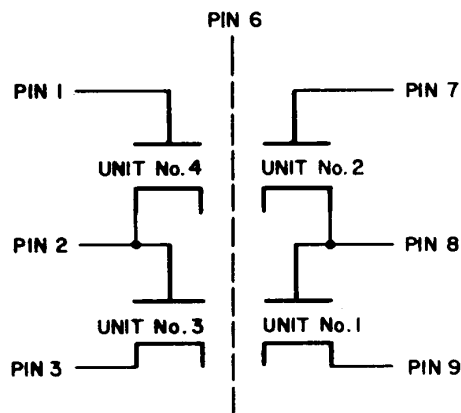
Characteristics, Instantaneous Value:

Values are for Each Unit

Plate Current for plate volts = 10. 60 ma

^a Without external shield.

ARRANGEMENT OF DIODE UNITS



92CS-11532R1

