



6AD7-G

6AD7-G



TRIODE-POWER AMPLIFIER PENTODE

Heater	Coated Unipotential Cathode		
Voltage	6.3	a-c or d-c volts	
Current	0.85	amp.	
Maximum Overall Length		4-5/8"	
Maximum Seated Height		4-1/16"	
Maximum Diameter		1-13/16"	
Bulb		ST-14	
Base		Medium Shell Octal 8-Pin	
Pin 1 - Triode Grid		Pin 5 - Pentode Grid	
Pin 2 - Heater		Pin 6 - Triode Plate	
Pin 3 - Pentode Plate		Pin 7 - Heater	
Pin 4 - Pentode Screen		Pin 8 - Cathode	
Mounting Position			Any
<u>TRIODE UNIT</u>			
Plate Voltage	285 max.	volts	←
Plate Dissipation	1.0 max.	watt	
<i>Characteristics - Class A₁ Amplifier:</i>			
Plate Voltage	250	volts	
Grid Voltage	-25	volts	
Amp. Factor	6		
Plate Res.	19000 approx.	ohms	
Transcond.	325	μmhos	
Plate Current	4	ma.	
<u>PENTODE UNIT</u>			
Plate Voltage	375 max.	volts	←
Screen Voltage	285 max.	volts	←
Plate Dissipation	8.5 max.	watts	
Screen Dissipation	2.7 max.	watts	
<i>Typical Operation and Characteristics - Class A₁ Amplifier:</i>			
Plate Voltage	250	volts	
Screen Voltage	250	volts	
Grid Voltage	-16.5	volts	
Peak A-F Grid Voltage	16.5	volts	
Zero-Sig. Plate Current	34	ma.	
Max.-Sig. Plate Current	36	ma.	
Zero-Sig. Screen Current	6.5	ma.	
Max.-Sig. Screen Current	10.5	ma.	
Plate Resistance	80000 approx.	ohms	
Transconductance	2500	μmhos	
Load Resistance	7000	ohms	
Total Harmonic Distortion	8	%	
Max.-Signal Power Output	3.2	watts	
<u>PUSH-PULL AMPLIFIER</u>			
<i>Pentode Unit of 6AD7-G and a separate 6F6-G</i>			
Plate Voltage	375 max.	volts	
■ In circuits where the cathode is not directly connected to the heater, the potential difference between heater and cathode should be kept as low as possible.			
← Indicates a change.			

Sept. 2, 1941

RCA RADOTRON DIVISION
RCA MANUFACTURING COMPANY, INC.

DATA

6AD7-G



6AD7-G

TRIODE-POWER AMPLIFIER PENTODE

(continued from preceding page)

Screen Voltage	285 max.	volts
Plate Dissipation	8.5 max.	watts
Screen Dissipation	2.7 max.	watts

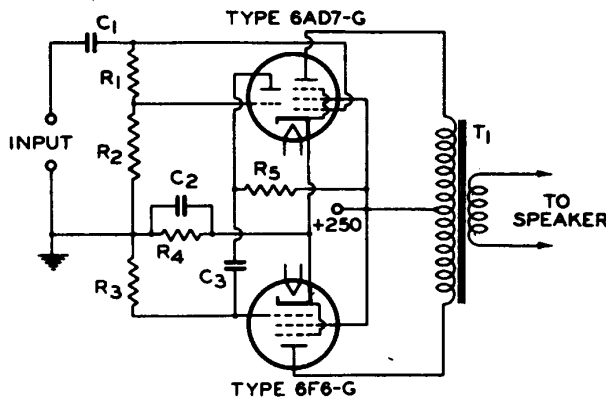
→ Typical Operation with Cathode Bias - Class AB₁ Amplifier:

Values are for pentode unit of 6AD7-G and 6F6-G together

Plate Voltage	250	285	375	volts
Screen Voltage	250	285	250	volts
Cathode Resistor	560	470	470	ohms
Peak A-F Grid to Grid Volt.	59	64	55	volts
Zero-Sig. Plate Current	36	47.5	41	ma.
Max.-Sig. Plate Current	41	54.5	50	ma.
Zero-Sig. Screen Current	6.7	8.2	6.7	ma.
Max.-Sig. Screen Current	11.7	13.7	9.2	ma.
Effec. Load Resistance (plate to plate)	14000	12000	16000	ohms
Total Harmonic Dist.	4	4	2	%
Max.-Sig. Power Output	6	8.5	9	watts

For curves of the pentode unit, refer to Type 6F6.

**TYPICAL PUSH-PULL CIRCUIT WITH PHASE INVERTER
USING 6AD7-G AND 6F6-G**



- R₁ = 330000 OHMS
- R₂ = 120000 OHMS
- R₃ = 470000 OHMS
- R₄ = 560 OHMS
- R₅ = 150000 OHMS
- C₁ = 0.01 μf
- C₂ = 25 μf
- C₃ = 0.01 μf
- T₁ = OUTPUT TRANSFORMER:
PLATE-TO-PLATE LOAD, 14000 OHMS

← Indicates a change.

The license extended to the purchaser of tubes appears in the License Notice accompanying them. Information contained herein is furnished without assuming any obligations.

Sept. 2, 1941

RCA RADIOTRON DIVISION
RCA MANUFACTURING COMPANY, INC.

DATA