

ALL VOLTAGES MEASURED UNDER FOLLOWING CONDITIONS:

- 1 - USE OF 11 MEGOHMS INPUT IMPEDANCE VTVM.
- 2 - ALL VOLTAGES  $\pm 10\%$ , WITH RESPECT TO GROUND.
- 3 - A.C. INPUT AT 117 V 50-60 CPS.
- 4 - NO SIGNAL AT ANTENNA AND OTHER INPUT TERMINALS.
- 5 - FRONT PANEL CONTROLS AT  
 MODE SELECTOR - MPX STEREO  
 VOLUME CONTROL - MAX.  
 MUTING - OFF

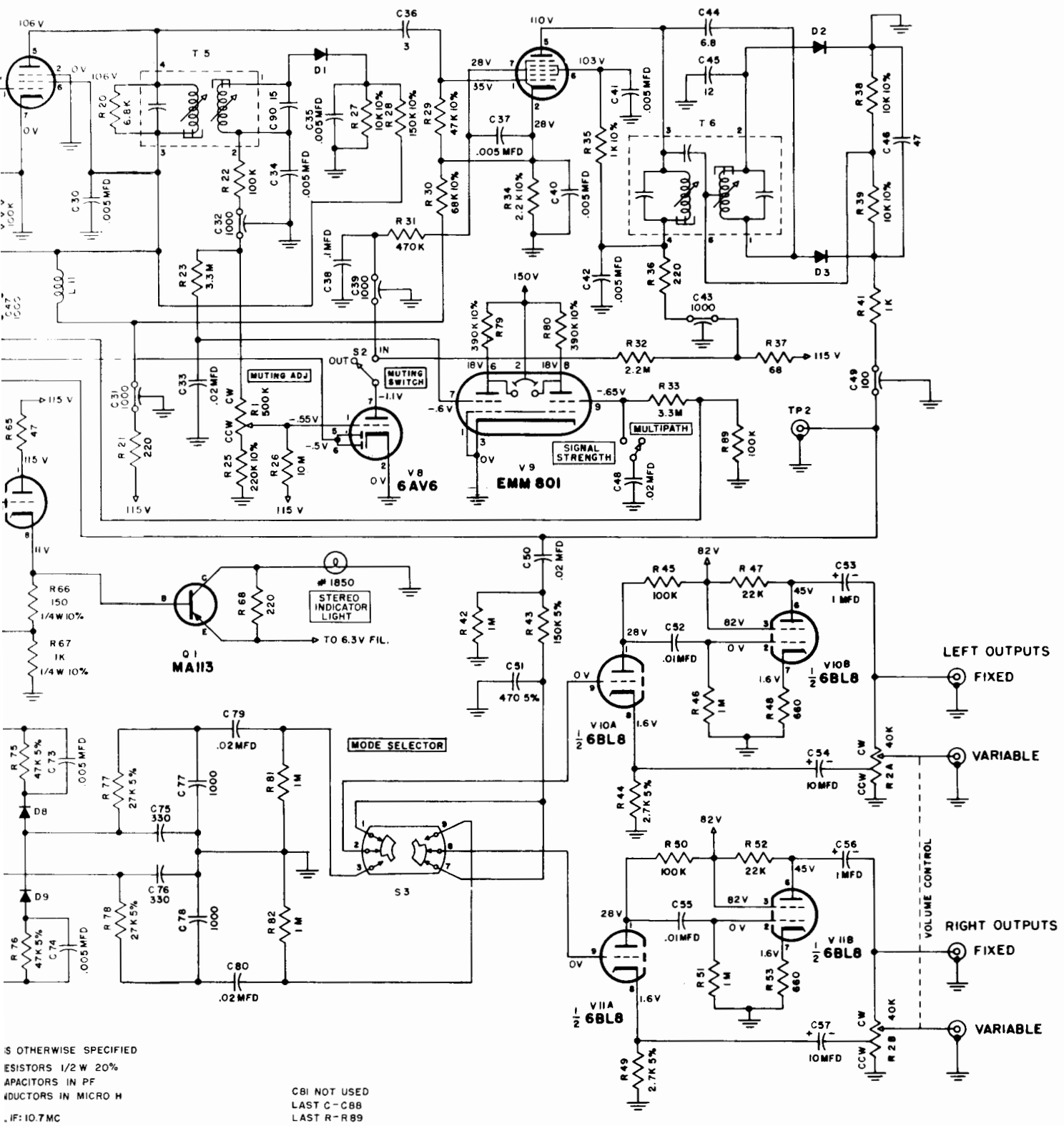
UNLESS OTHERWISE SPECIFIED

- ALL RESISTORS 1/2 W 20%
- ALL CAPACITORS IN PF
- ALL INDUCTORS IN MICRO H

FM. IF: 10.7 MC

V 6  
6AU6

V 7  
6CS6



RESISTORS UNLESS OTHERWISE SPECIFIED  
RESISTORS 1/2 W 20%  
CAPACITORS IN PF  
INDUCTORS IN MICRO H  
MFD: 10.7 MC

CBI NOT USED  
LAST C-C88  
LAST R-R89

MATERIAL	TITLE	PART NO.
	SCHEMATIC, MR67	
FINISH	McIntosh LABORATORY INC. 2 Chambers St., Binghamton, N. Y.	USED ON:
TOLERANCES - Unless otherwise specified: ± 1/4" Angles: ± 30 Fractions: ± .003 Decimals	SCALE: DEN BY VG DATE: 1, 4, 63 CHKD: BB APPD: SAC	DWG NO.: SC123-140