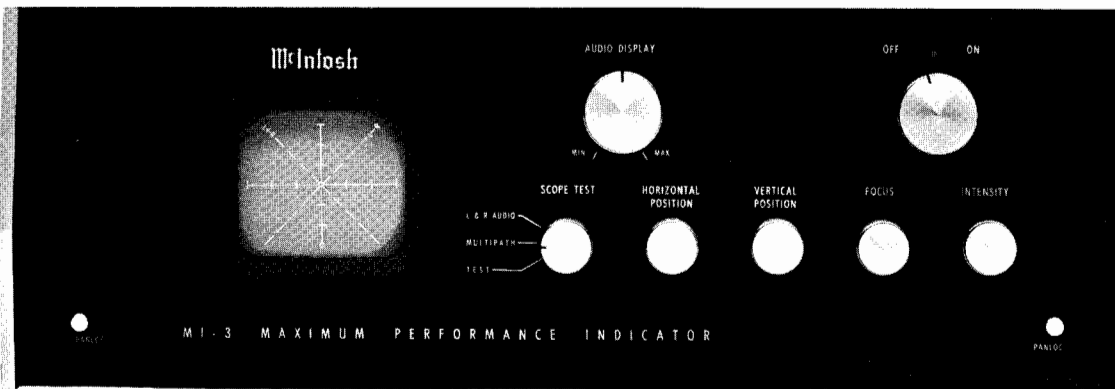


McIntosh

MI-3

MAXIMUM PERFORMANCE INDICATOR



SERVICE INFORMATION

STARTING WITH SERIAL NO. 10E01

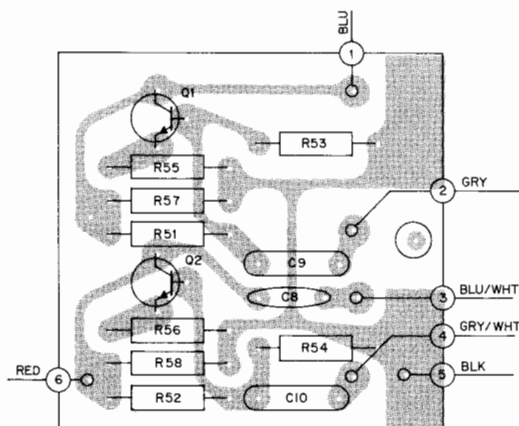
McINTOSH LABORATORY INC. 2 CHAMBERS STREET BINGHAMTON, NEW YORK

MI-3

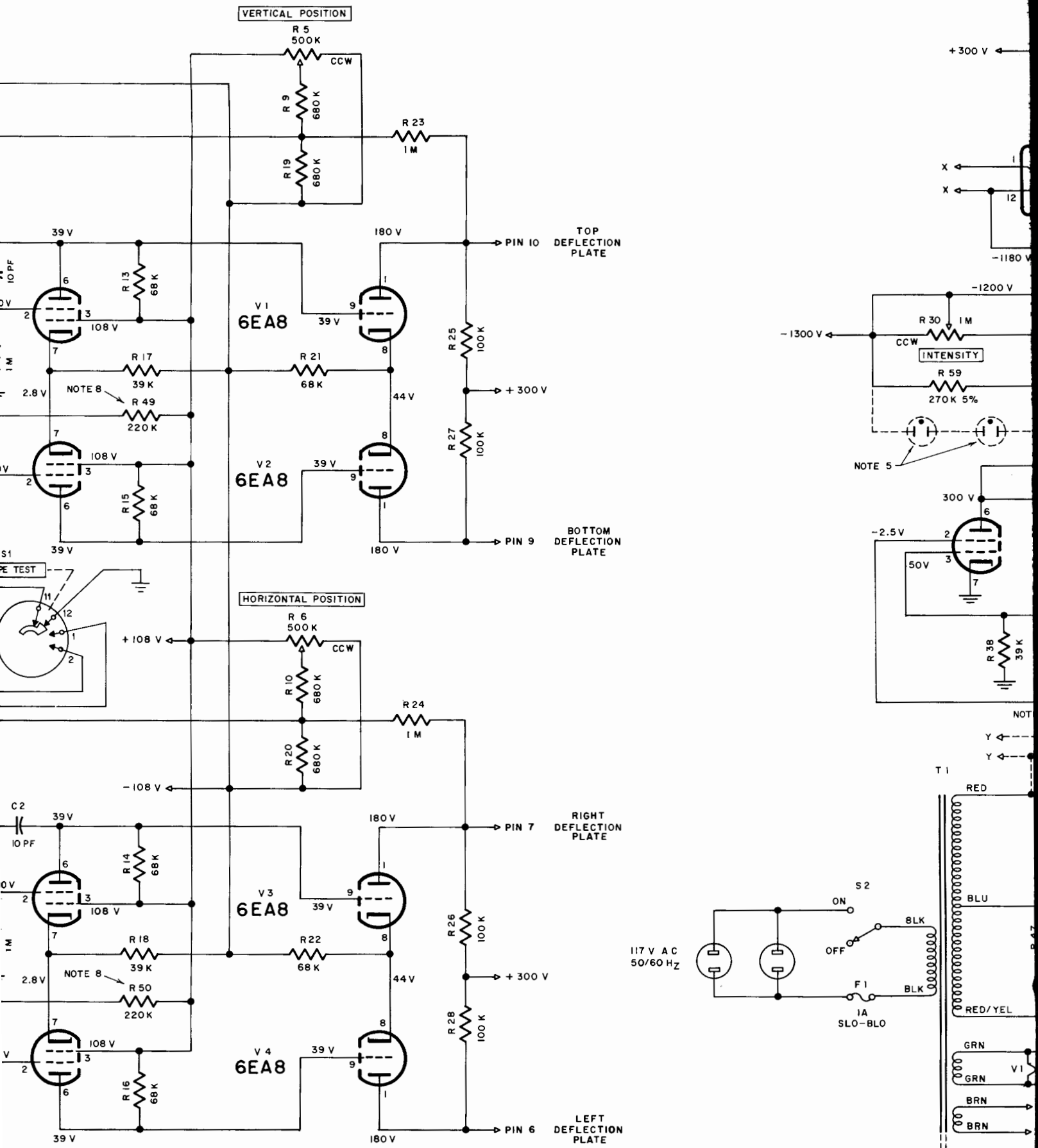
SCHEMATIC NOTES

1. Unless otherwise specified: Resistance values are in ohms, 1/2 watt, and 10% tolerance; capacitance values are in microfarads (μF).
2. Printed circuit board components are outlined on the schematics by dotted lines. The circled numbers around the dotted lines correspond to the numbers on the PC Board layouts.
3. The terminal numbering of rotary switches is for reference only.
4. All voltages indicated on the schematics are measured under the following conditions:
 - a. Use of an 11 megohm input impedance VTVM.
 - b. All voltages $\pm 10\%$ with respect to chassis ground.
 - c. No signal at input or antenna terminals.
 - d. AC input at 117 volts, 50/60 Hz.
 - e. Mode selector at test position.
5. In units with Serial No's below 10E26, two neon bulbs (McIntosh Part No. 058-002) are used in place of R59.
6. In units with Serial No's from 10E26 to 15E00, R60 and R61 are used.
7. In units with Serial No's below 13E00, a 6W4 rectifier tube (McIntosh Part No. 165-016) is used in place of SR7.
8. In early units, PC Board 043-984 and R49 and R50 are not used. The arm of R48A is connected directly to pin No. 2 of S1 and the arm of R48B is connected directly to C7.

AUDIO DRIVER
P.C. BOARD 043-984

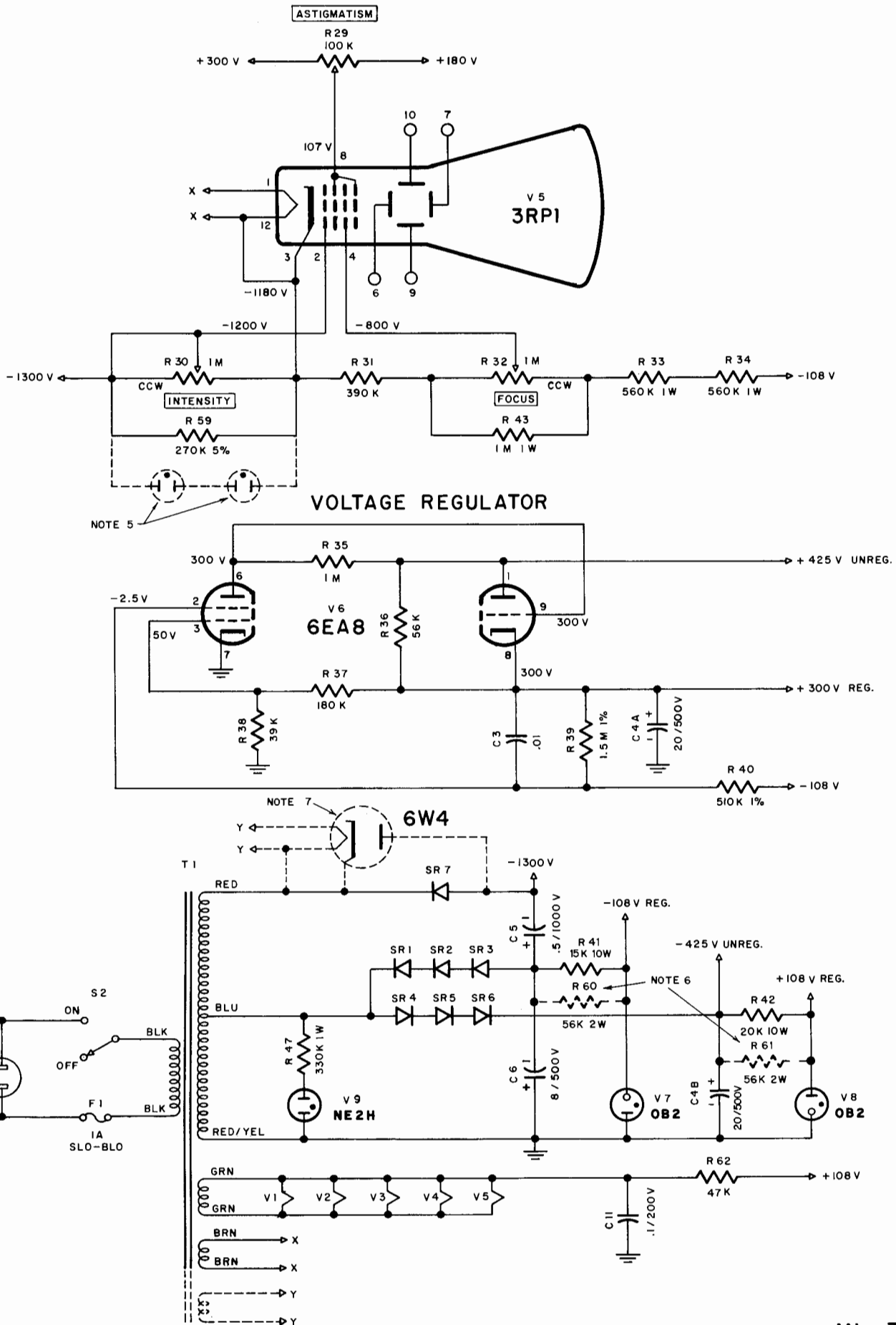


AMPLIFIER



TAL AMPLIFIER

C.R.T. CIRCUIT



REPLACEMENT PARTS

All parts not listed are common items obtainable from radio parts jobbers.

Replacement parts may be obtained when ordered by PART NUMBER from:

McIntosh Laboratory, Inc.
Customer Service Department
2 Chambers Street
Binghamton, New York 13903
(telephone 607-723-3512)

CAPACITORS

Symbol Number	Description	Part Number
C3	Mylar .01 μ F 400V	064-002
C4	Elect. 20/20 μ F 500/500V	066-025
C5	Mylar .5 μ F 1000V	064-023
C6	Elect. 8 μ F 475V	066-052
C7	Mylar .22 μ F 200V	064-013
C9,10	Mylar .22 μ F 250V	064-043
C11	Mylar .1 μ F 200V	064-011

DIODES

SR1,2	Se. rectifier	070-005
SR3,4	Se. rectifier	070-005
SR5,6	Se. rectifier	070-005
SR7	Se. rectifier	070-026

FUSES

F1	Fuse 1A slo-blo	089-001
----	-----------------	---------

TRANSISTORS

Q1,2	Si. NPN transistor	132-057
------	--------------------	---------

LAMPS

NE2H	Neon tube	058-009
------	-----------	---------

TRANSFORMERS

T1	Power transformer	159-068
----	-------------------	---------

POTENTIOMETERS

R1	Signal strength cal.	134-206
R2	Deviation cal.	134-206
R3	Left gain	134-206
R4	Right gain	134-206
R5	Vertical position	134-206
R6	Horizontal position	134-044
R29	Astigmatism	134-047
R30	Intensity	134-041
R32	Focus	134-041

R45	Vertical audio position	134-206
R48	Audio gain	134-171

RESISTORS

R41	Wirewound 15k 10% 10W	139-040
R42	Wirewound 20k 10% 10W	139-018

SWITCHES

S1	Selector switch	146-100
S2	Power on-off	146-040

TUBES

V1,2	6EA8	165-044
V3,4	6EA8	165-044
V5	3RP1 (CRT)	165-028
V6	6EA8	165-044
V7,8	0B2	165-027

FRONT PANEL & TRIM

Front panel	043-697
Front panel end cap: right	018-132
Front panel end cap: left	018-133
Power knob	043-253
Audio display knob	043-253
Intensity knob	043-478
Focus knob	043-478
Vertical position knob	043-478
Horizontal position knob	043-478
Scope test knob	043-806

MOUNTING SYSTEM

Shelf bracket: right	043-427
Shelf bracket: left	043-428
Mounting template #100	038-179
Hardware package	043-458

MISCELLANEOUS ITEMS

Fuseholder	178-001
AC power cord	170-021
Shipping carton	043-943
Owners manual	038-142
Audio cable	170-015