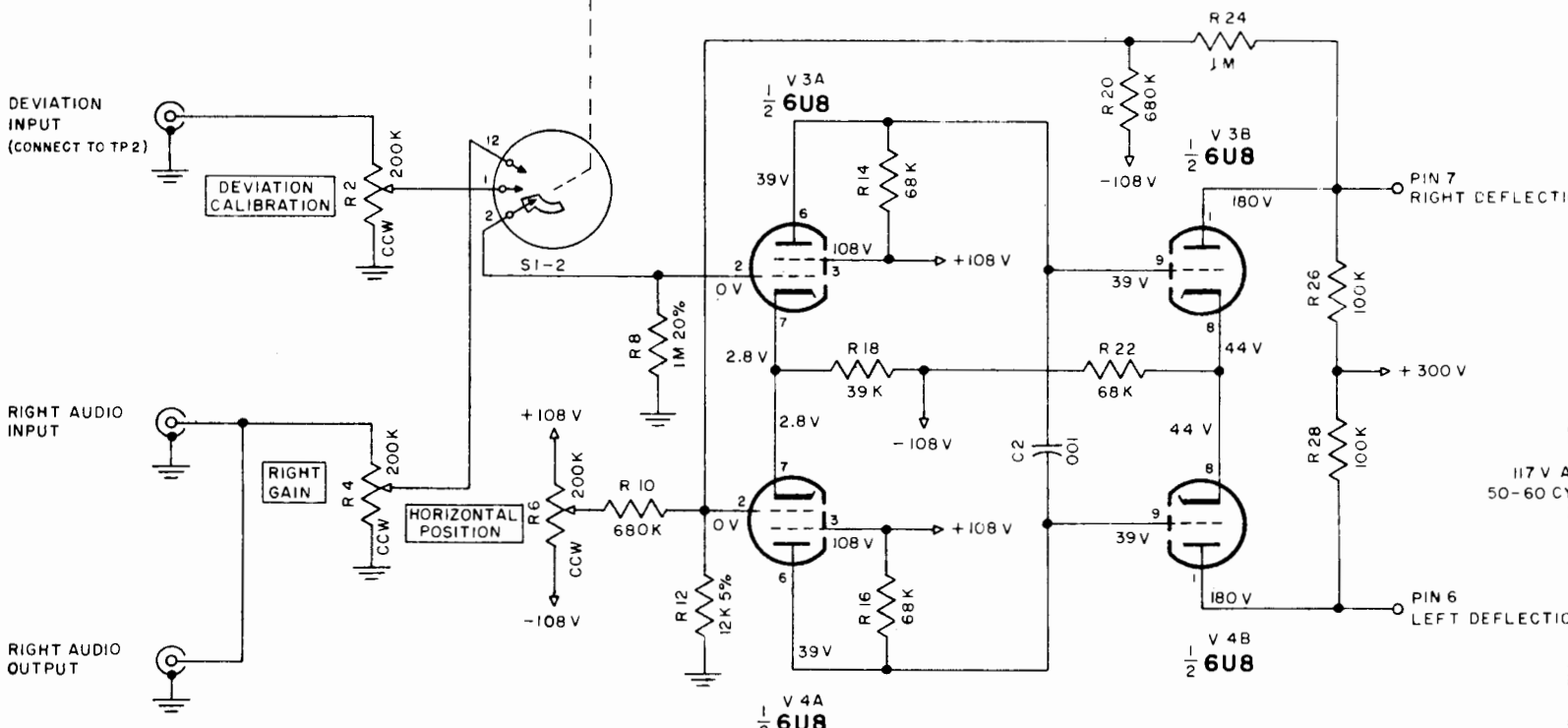
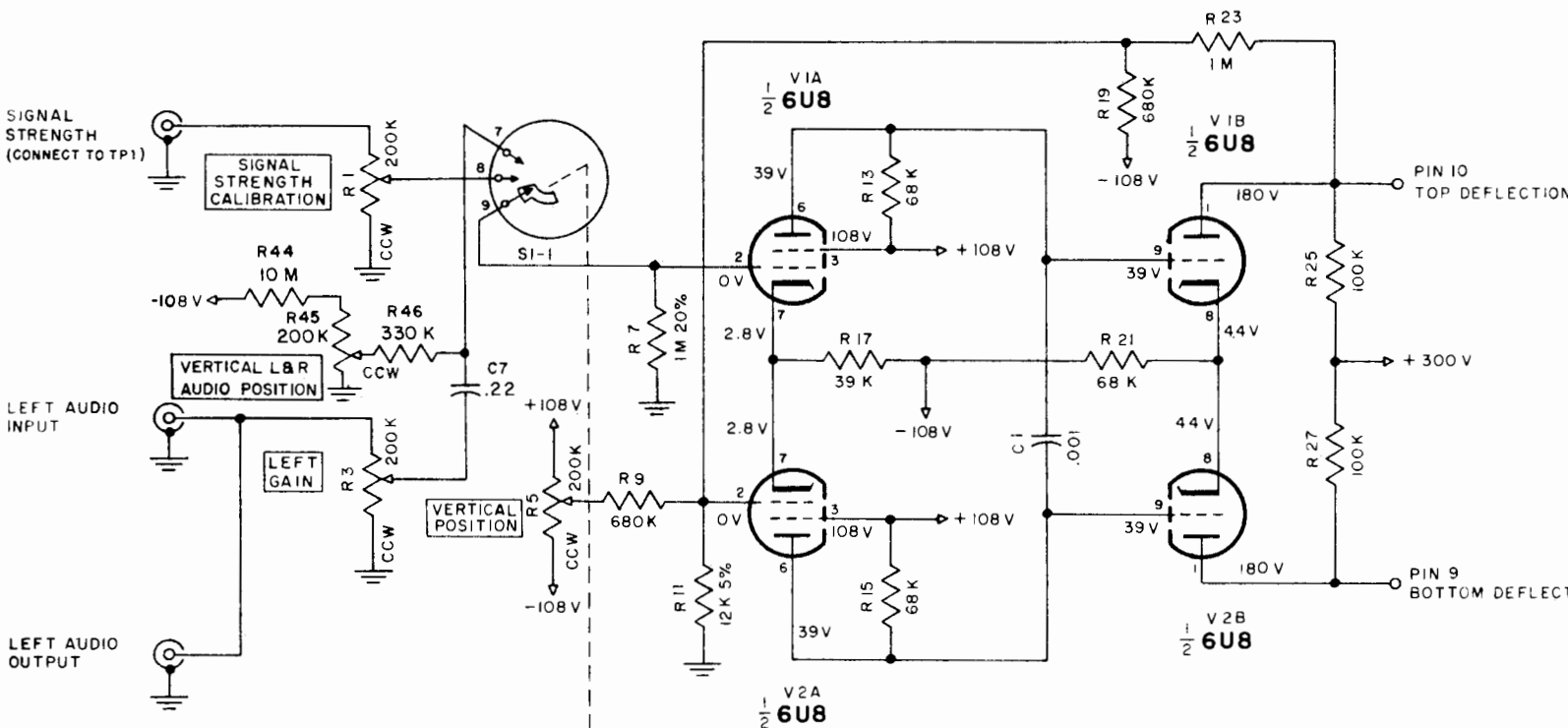


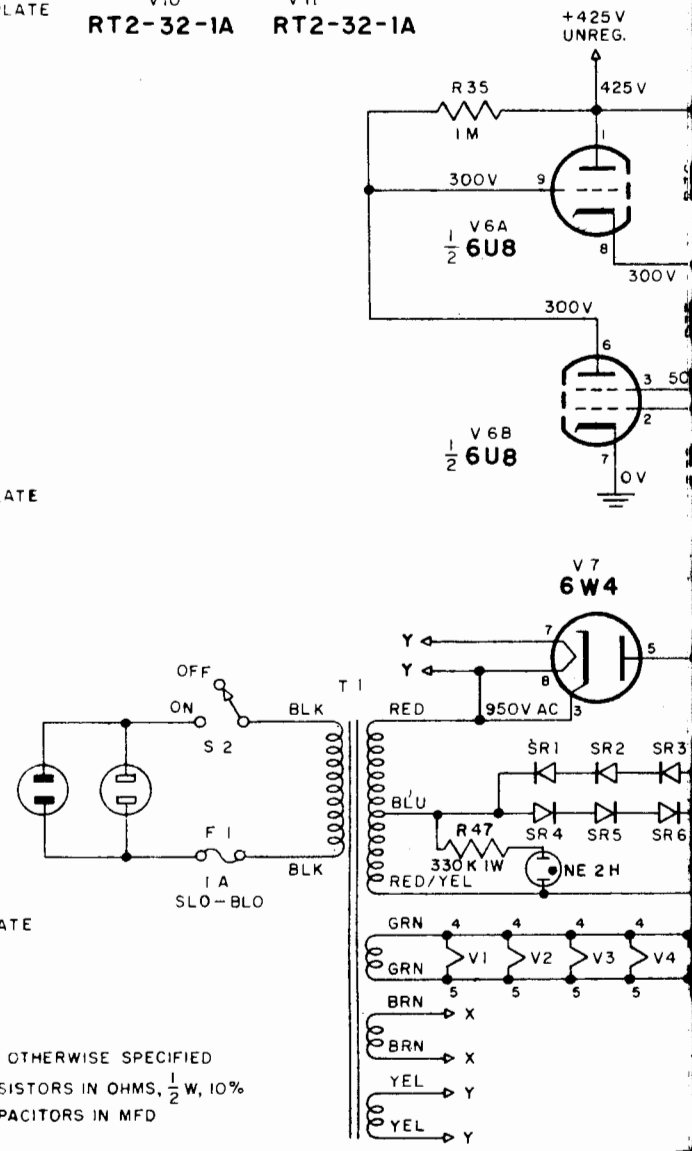
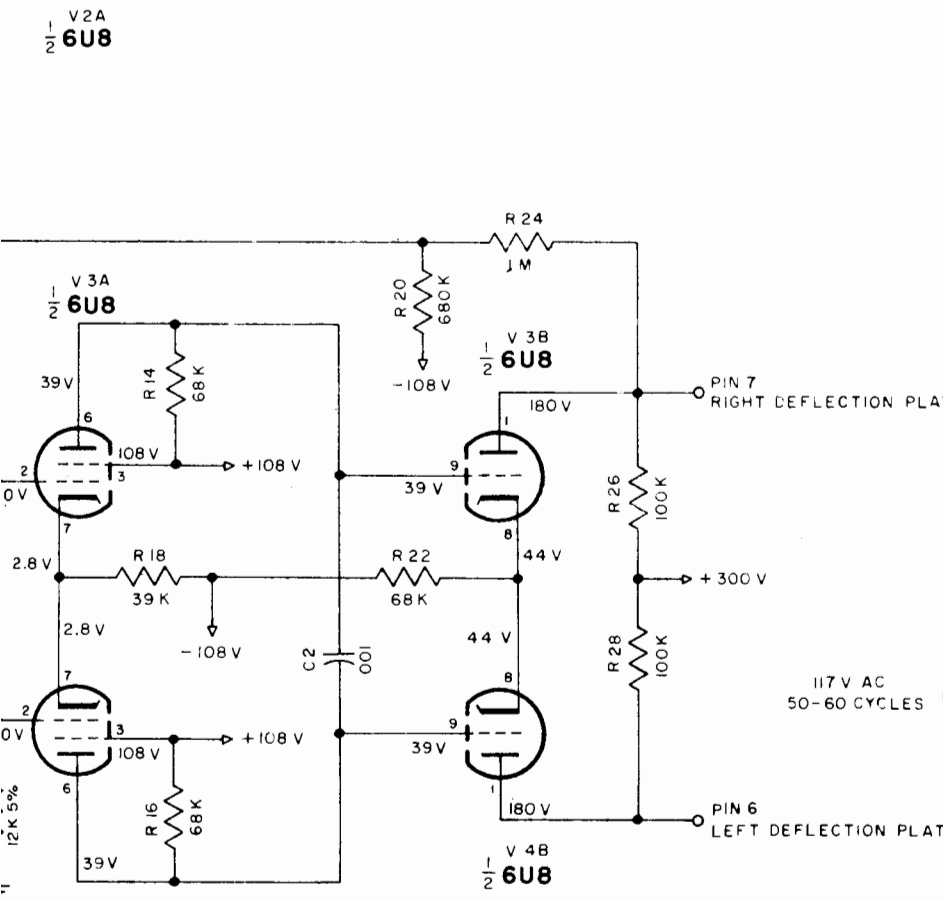
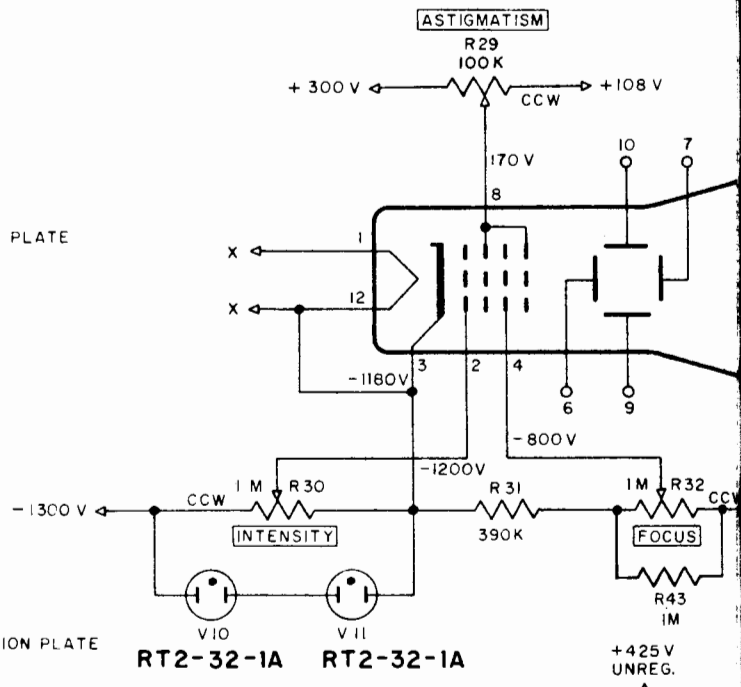
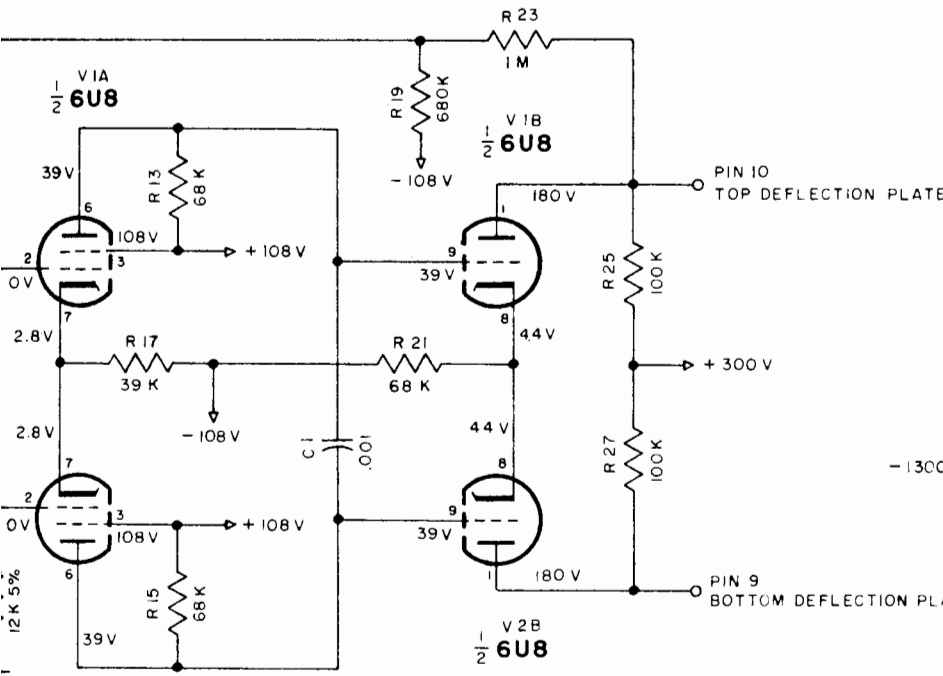
VERTICAL AMPLIFIER



HORIZONTAL AMPLIFIER

- ALL VOLTAGES MEASURED UNDER FOLLOWING CONDITIONS:
- 1- USE OF 11 MEGOHMS INPUT IMPEDANCE VTVM VOLT-METER.
 - 2- ALL VOLTAGES ±10%, WITH RESPECT TO GROUND
 - 3- A.C. INPUT AT 117 V 50-60 CPS.
 - 4- NO SIGNAL AT INPUT TERMINALS.
 - 5- MODE SELECTOR AT TEST POSITION

LIFIER



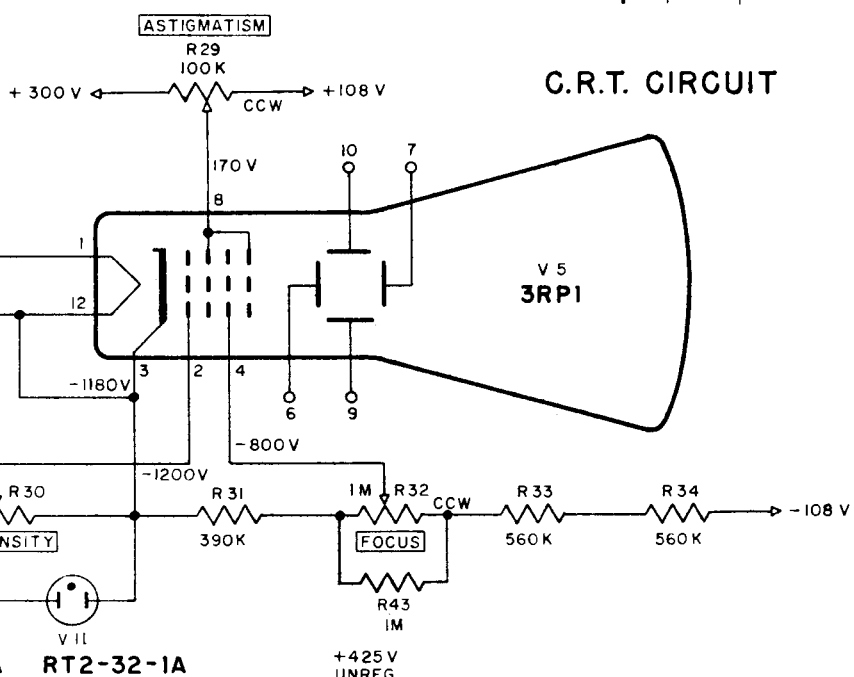
AMPLIFIER

ALL VOLTAGES MEASURED UNDER FOLLOWING CONDITIONS:
 1- USE OF 11 MEGOHMS INPUT IMPEDANCE VTVM VOLTMETER.
 2- ALL VOLTAGES $\pm 10\%$, WITH RESPECT TO GROUND
 3- A.C. INPUT AT 117 V 50-60 CPS.
 4- NO SIGNAL AT INPUT TERMINALS.
 5- MODE SELECTOR AT TEST POSITION

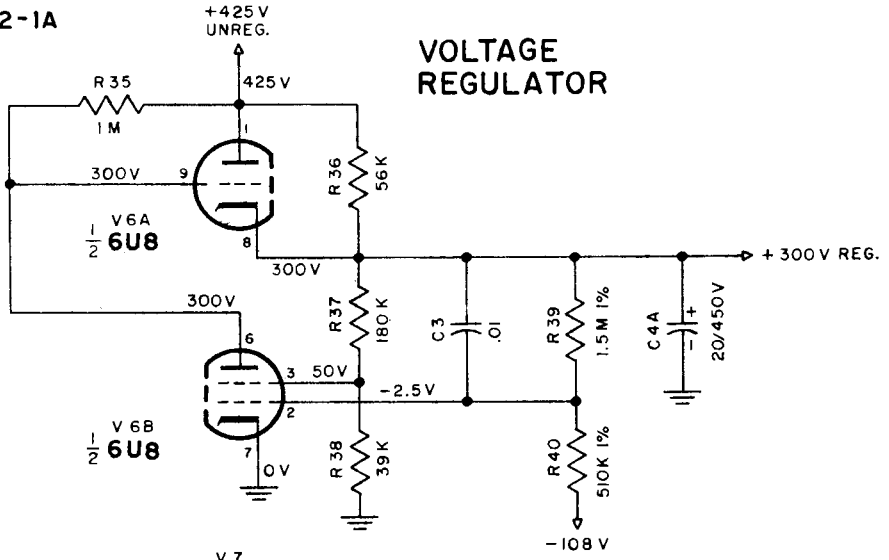
UNLESS OTHERWISE SPECIFIED
 ALL RESISTORS IN OHMS, $\frac{1}{2}$ W, 10%
 ALL CAPACITORS IN MFD
 S1 SHOWN IN CCW POSITION

| REV | C N | REVISION | DATE | BY | CHKD | APPD |
|-----|-----|----------|------|----|------|------|
| A | | | | | | |
| B | | | | | | |
| C | | | | | | |

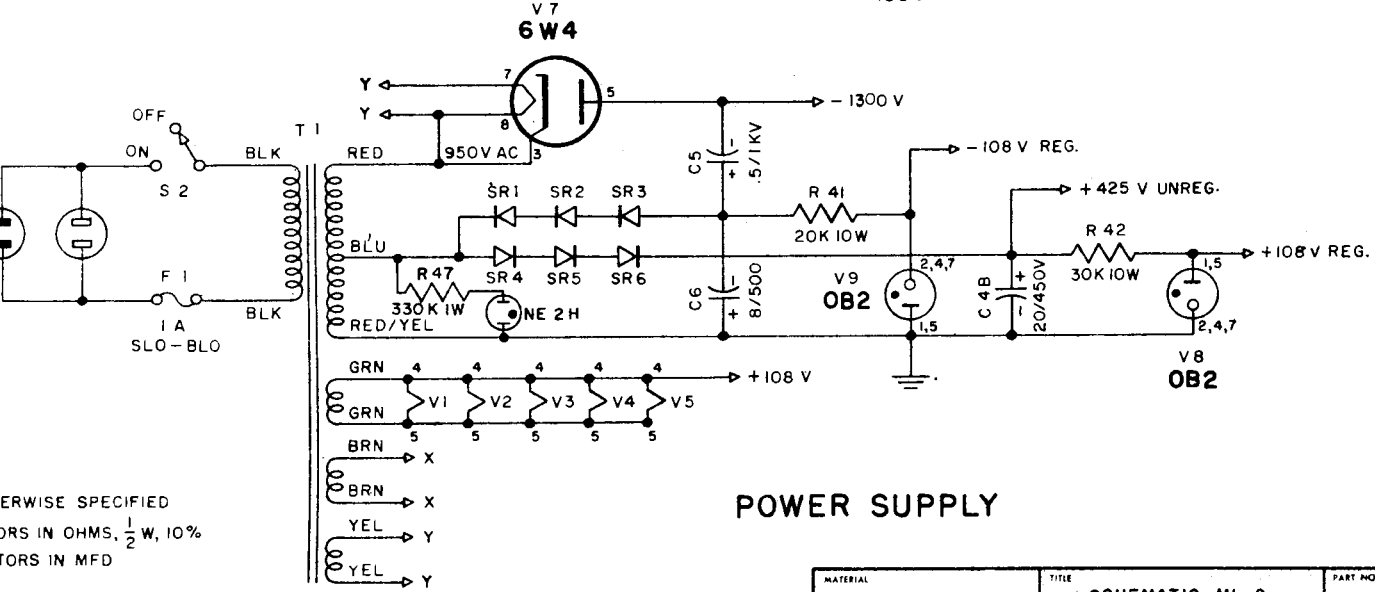
C.R.T. CIRCUIT



VOLTAGE REGULATOR



POWER SUPPLY



UNLESS OTHERWISE SPECIFIED
RESISTORS IN OHMS, 1/2 W, 10%
CAPACITORS IN MFD
SWITCH IN CCW POSITION

SC 141-118
REV. 1

| MATERIAL | TITLE | PART NO. |
|--|--|-----------|
| | SCHEMATIC, MI-2 | |
| FINISH | McInosh LABORATORY INC. 2 Chambers St. Binghamton, N.Y. | USED ON |
| TOLERANCES - Unless otherwise specified Resistors - 1% Angles - 3/16 Fractions Capacitors - 100 Decimals | SCALE | DRN BY VG |
| | DATE 3.8.63 | DWG NO. |
| | CHKD | APPD |
| | | SC141-118 |