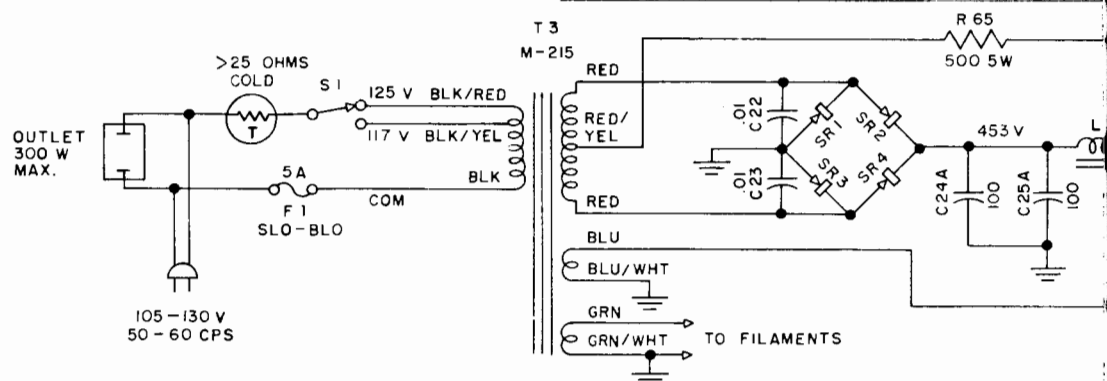
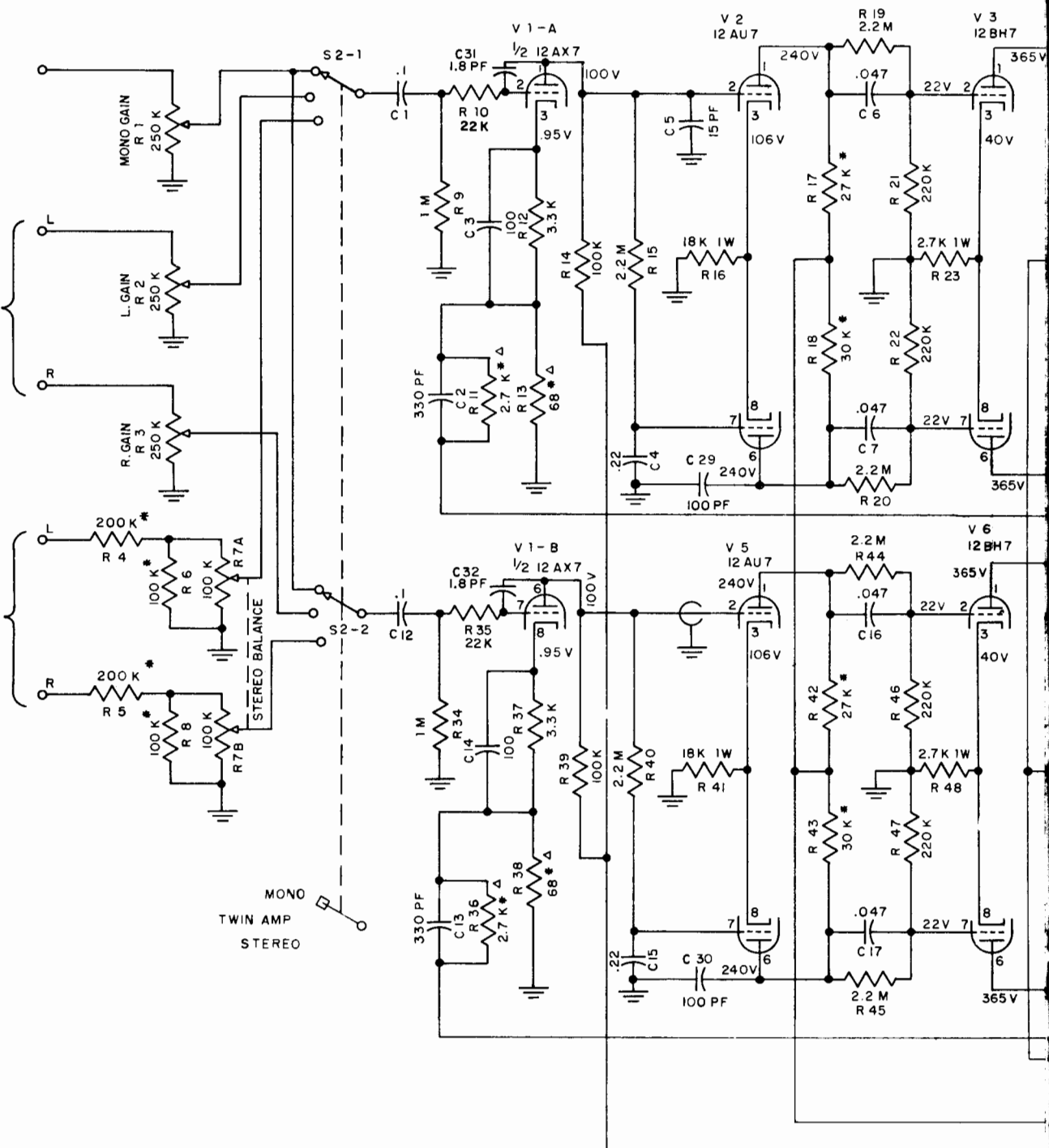
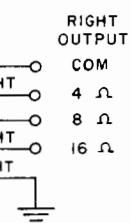
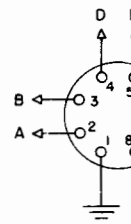
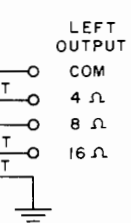
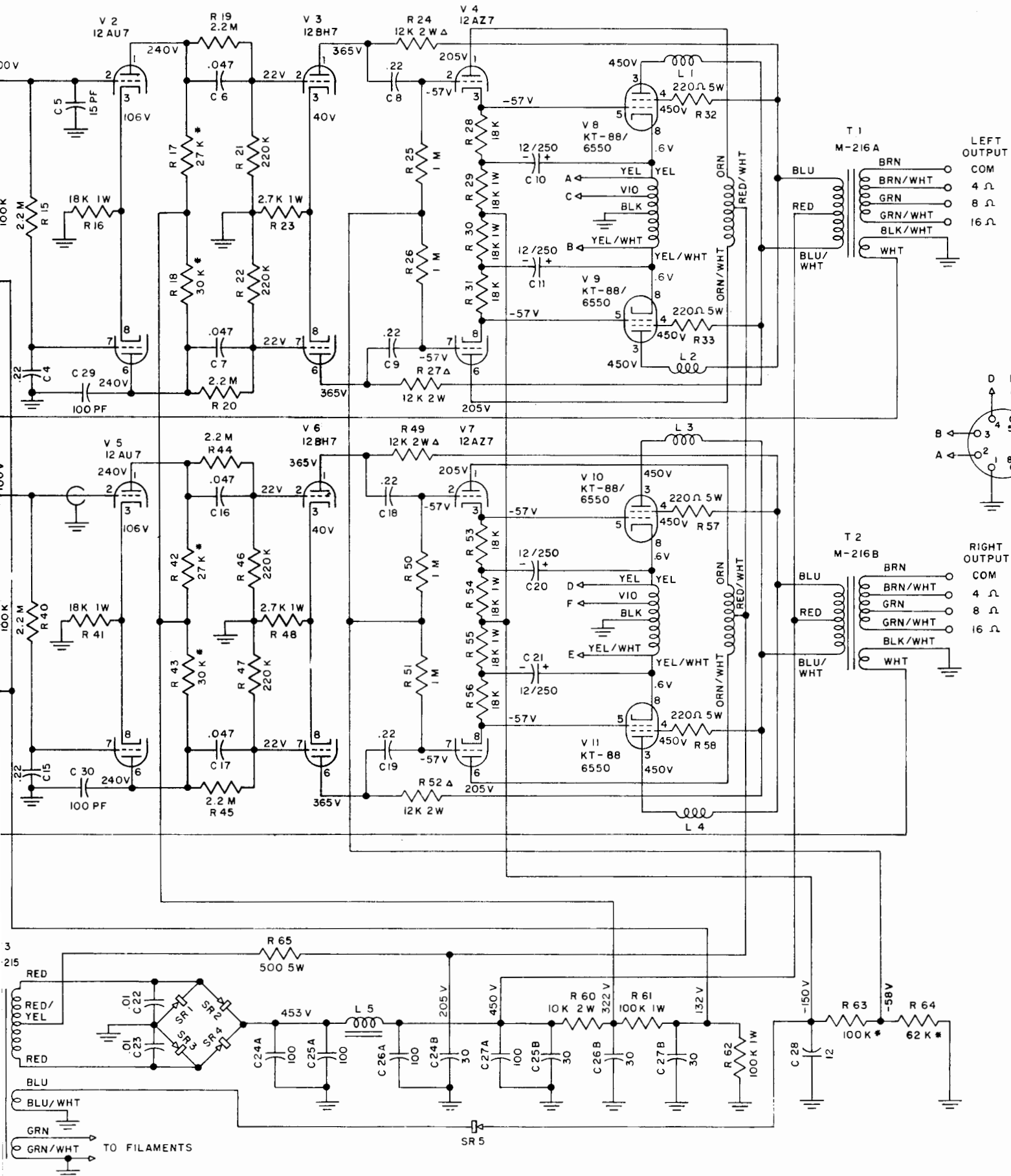


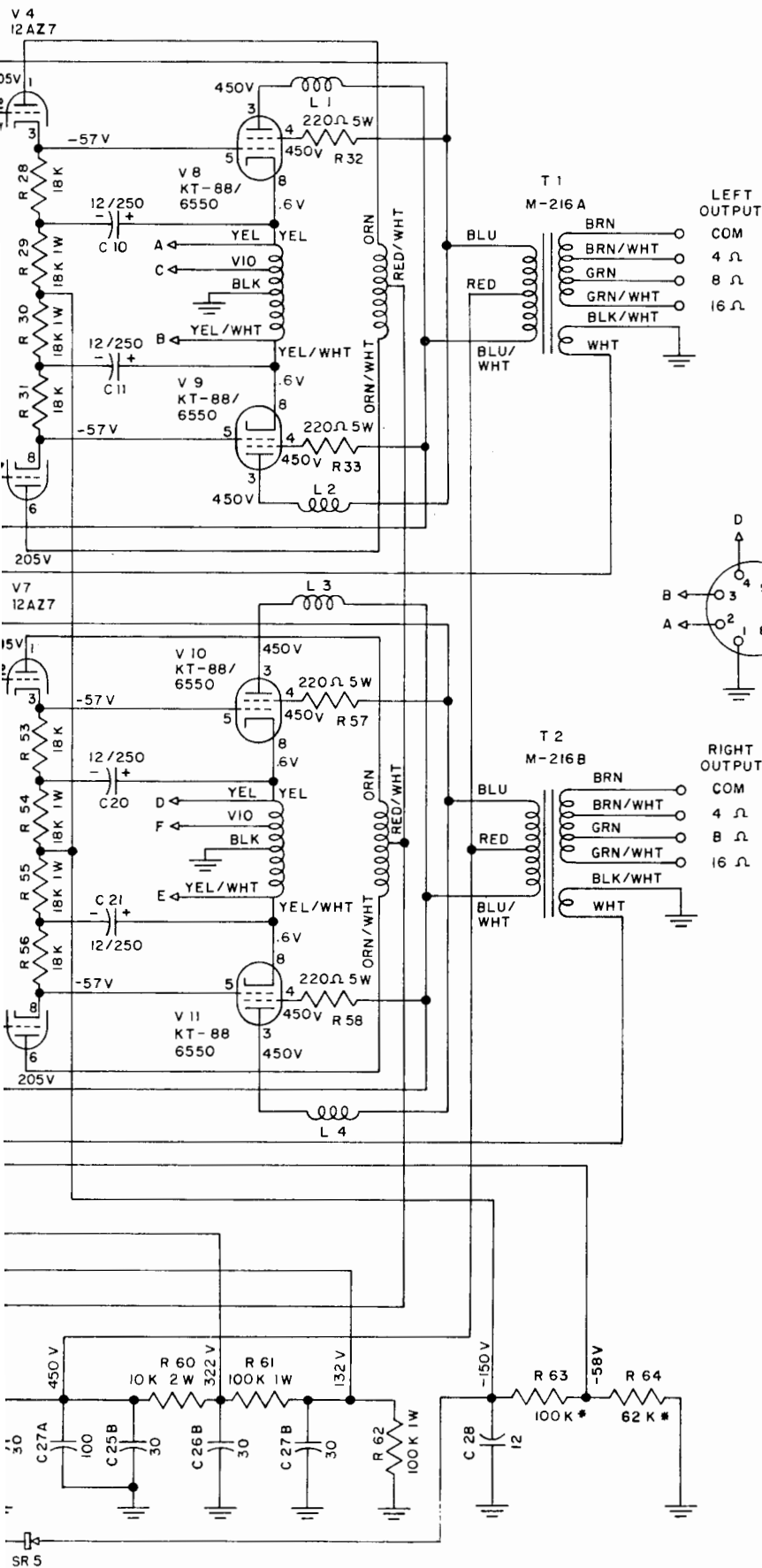
INPUTS
MONO
150 W
AMP
(.5V)

INPUTS
DUAL
75 W
AMP
(.5V)

INPUTS
STEREO
75-75 W
AMP
(2.0V)

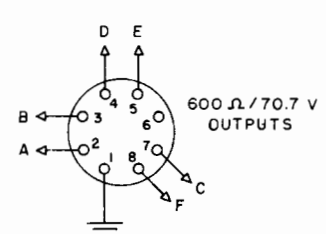






LEFT OUTPUT

COM
4 Ω
8 Ω
16 Ω



RIGHT OUTPUT

COM
4 Ω
8 Ω
16 Ω

600 Ω / 70.7 OUTPUT RECEPTACLE CONNECTIONS

PIN 1 - GROUND, 70.7 V & 115 V RETURN, AND 600 Ω C.T.

PINS 1 AND 7 - LEFT 70.7 V OUTPUT

PINS 1 AND 2 - LEFT 115 V OUTPUT

PINS 2 AND 3 - LEFT 600 Ω OUTPUT, LEFT 230 V OUTPUT

PINS 1 AND 8 - RIGHT 70.7 V OUTPUT

PINS 1 AND 4 - RIGHT 115 V OUTPUT

PINS 4 AND 5 - RIGHT 600 Ω OUTPUT, RIGHT 230 V OUTPUT

SINGLE CHANNEL (MONO) OUTPUT NOTE

FOR SINGLE CHANNEL OUTPUT PARALLEL OR SERIES CONNECT THE L AND R OUTPUTS TO OBTAIN DESIRED OUTPUT IMPEDANCE.

- * 5% TOLERANCE RESISTORS
- ▲ R 11 AND R 36, R 13 AND R 38, R 24 AND R 27, ALSO R 49 AND R 52 MATCHED TO 1%
- 1. DC MEASUREMENTS TAKEN WITH A VACUUM TUBE VOLTMETER
- 2. NOMINAL TOLERANCE ON COMPONENT VALUES MAKES POSSIBLE A VARIATION OF ± 15% IN VOLTAGE AND RESISTANCE READINGS.

REVISIONS		
NO.	DATE	BY
1		
2		
3		
4		
5		

SCHEMATIC, MC-275		
DRAWN BY	SCALE	MATERIAL
CHKD	DATE 4.18 61	DRAWING NO
TRACED	APPD	SC 125-109 F