

600 Ω / 70V

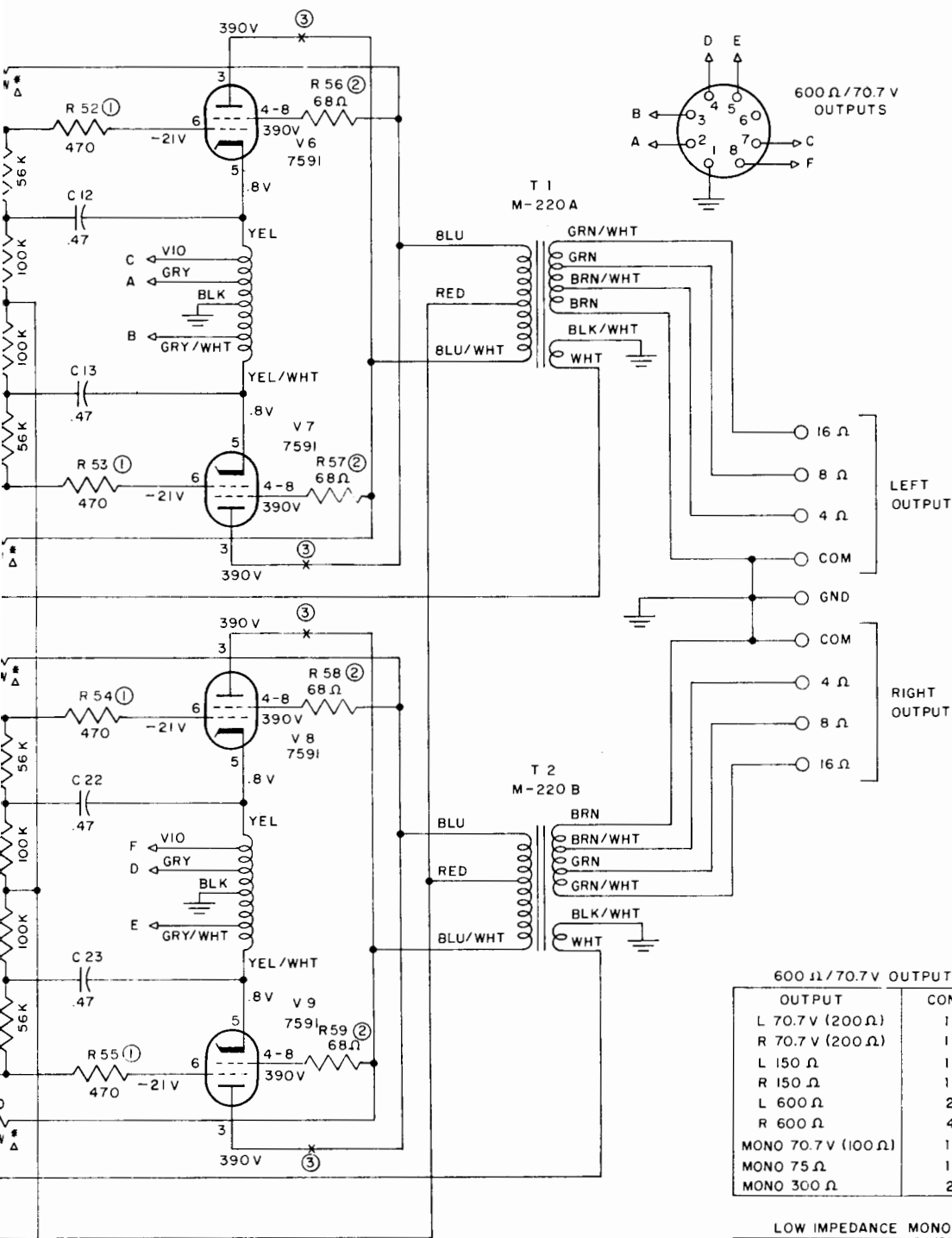
OUTPUT
L 70.7 V (200)
R 70.7 V (200)
L 150 Ω
R 150 Ω
L 600 Ω
R 600 Ω
MONO 70.7 V (100)
MONO 75 Ω
MONO 300 Ω

LOW IMPED

OUTPUT
2 Ω
4 Ω
8 Ω (25V)

- NOTES:
- * 5% TOLERANCE RESISTORS
 - △ MATCHED TO WITHIN 1%
 - ① RESISTORS R 52, 53, 54, & 55 WERE NOT USED IN AMPLIFIERS BELOW SERIAL NO. 159C0.
 - ② RESISTORS R 56, 57, 58, & 59 WERE NOT USED IN AMPLIFIERS BELOW SERIAL NO. 171C6
 - ③ CHOKES L1, 2, 3, & 4 (22MH) WERE USED IN SERIES WITH THE 759I PLATE LEADS IN AMPLIFIERS BELOW SERIAL NO. 171C6

FOR MONO SWITCH IN



600 Ω / 70.7 V OUTPUT RECEPTICAL CONNECTIONS

OUTPUT	CONNECT TO	JUMPER
L 70.7 V (200 Ω)	1 AND 7	—
R 70.7 V (200 Ω)	1 AND 8	—
L 150 Ω	1 AND 2	—
R 150 Ω	1 AND 4	—
L 600 Ω	2 AND 3	—
R 600 Ω	4 AND 5	—
MONO 70.7 V (100 Ω)	1 AND 7	7 TO 8
MONO 75 Ω	1 AND 2	2 TO 4
MONO 300 Ω	2 AND 3	2 TO 4, 3 TO 5

LOW IMPEDANCE MONO OUTPUT CONNECTIONS

OUTPUT	CONNECT TO	JUMPER
2 Ω	L COM. AND L 4 Ω	R 4 Ω TO L 4 Ω
4 Ω	L COM. AND L 8 Ω	R 8 Ω TO L 8 Ω
8 Ω (25 V)	L COM. AND L 16 Ω	R 16 Ω TO L 16 Ω

FOR MONO OPERATION BE SURE TO PLACE MONO/STEREO SWITCH IN MONO POSITION.

NOTES:

- * 5% TOLERANCE RESISTORS
- △ MATCHED TO WITHIN 1%
- ① RESISTORS R 52, 53, 54, & 55 WERE NOT USED IN AMPLIFIERS BELOW SERIAL NO. 159C0.
- ② RESISTORS R 56, 57, 58, & 59 WERE NOT USED IN AMPLIFIERS BELOW SERIAL NO. 171C6
- ③ CHOKES L 1, 2, 3, & 4 (2.2 MH) WERE USED IN SERIES WITH THE 759I PLATE LEADS IN AMPLIFIERS BELOW SERIAL NO. 171C6

REVISIONS				
NO.	DATE	BY		
1				
2				
3	11-12-61			
DRAWN BY <i>ALB</i>			SCALE	MATERIAL
CHK'D	DATE		6-19-61	DRAWING NO
TRACED	APP'D			SC126-167A

SCHEMATIC, MC-225