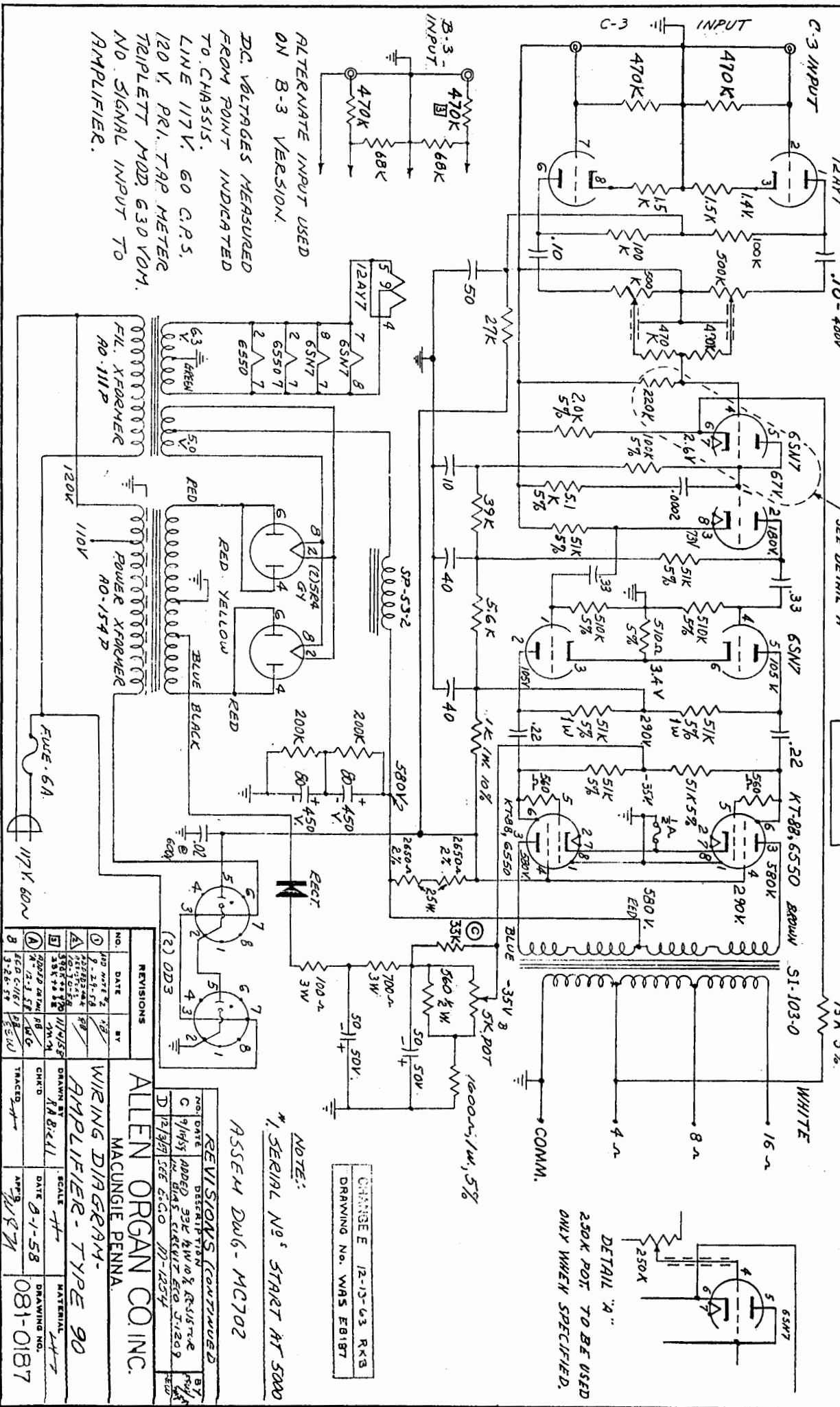


081-0187

081-0187



ALTERNATE INPUT USED ON B-3 VERSION.
 DC VOLTAGES MEASURED FROM POINT INDICATED TO CHASSIS.
 LINE 117V. 60 C.P.S.
 TRIPLETT MOD. 630 VOM.
 NO. SIGNAL INPUT TO AMPLIFIER.

DETAIL "A"

250K POT TO BE USED ONLY WHEN SPECIFIED.

CHANGE E 12-13-63 RKS
 DRAWING NO. WAS E8197

NOTE:

#1 SERIAL NO'S START AT 5000

ASSEMB DWG. MGT02

REVISIONS (CONTINUED)

| NO. | DATE | BY | DESCRIPTION |
|-----|----------|----|----------------------|
| 1 | 9-24-58 | RB | REVISED FOR 580V CAP |
| 2 | 10-1-58 | RB | REVISED FOR 50V CAP |
| 3 | 11/11/58 | RB | REVISED FOR 50V CAP |
| 4 | 12-1-58 | RB | REVISED FOR 50V CAP |
| 5 | 12-1-58 | RB | REVISED FOR 50V CAP |
| 6 | 12-1-58 | RB | REVISED FOR 50V CAP |
| 7 | 12-1-58 | RB | REVISED FOR 50V CAP |
| 8 | 12-1-58 | RB | REVISED FOR 50V CAP |

ALLEN ORGAN CO. INC.
 MACUNGIE PENNA.
 WIRING DIAGRAM - TYPE 90
 DRAWN BY A.B.K.L.
 CHECKED J.M.M.
 DATE 8-1-58
 SCALE #1
 MATERIAL #1
 DRAWING NO. 081-0187